



**Slider S10 - Slider S20**  
***SALICE***



# Slider S10





## Slider S10



**Slider S10** is a coplanar system for kitchen cabinets and small wall cabinets with doors weighing up to 10 kg. Equipped with carriages with double horizontal rollers and connection-free runners that guarantee smoother and quieter movement than ever before. **S10** is flexible: the Flex version can be adapted to any width of cabinet by simply cutting the profiles to measure.

Due to its features, **S10** is ideal for small units used in the kitchen and bathroom or for larger furniture intended for the living room, bedroom and offices.





## Technical information

Coplanar two-door cushioned sliding system.  
Capacity 10 kg per door.

Individual door properties:

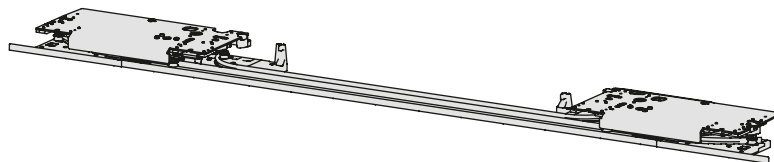
- max. weight per door 10 kg (evenly distributed)
- width:
  - min. 450 mm
  - max. 1200 mm
- height:
  - max. 800 mm
- thickness:
  - min. 16 mm
  - max. 30 mm
  - max. with handle 40 mm
- height from the ground:
  - 35 mm (kitchen cabinet)
- material:
  - a) wood or derived material
  - b) glass with metal frame

Door adjustment:
 

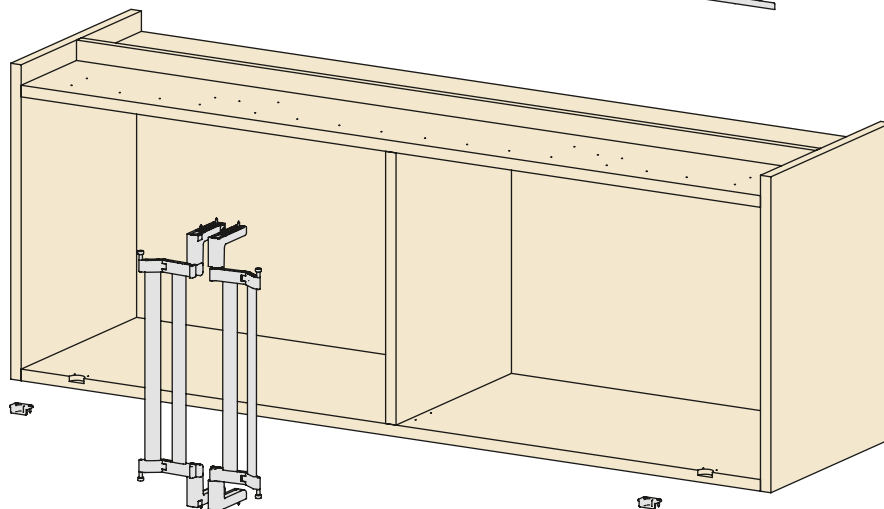
- vertical adjustment  $\pm 5$  mm
- horizontal adjustment  $\pm 2.5$  mm

Door front adjustment:
 

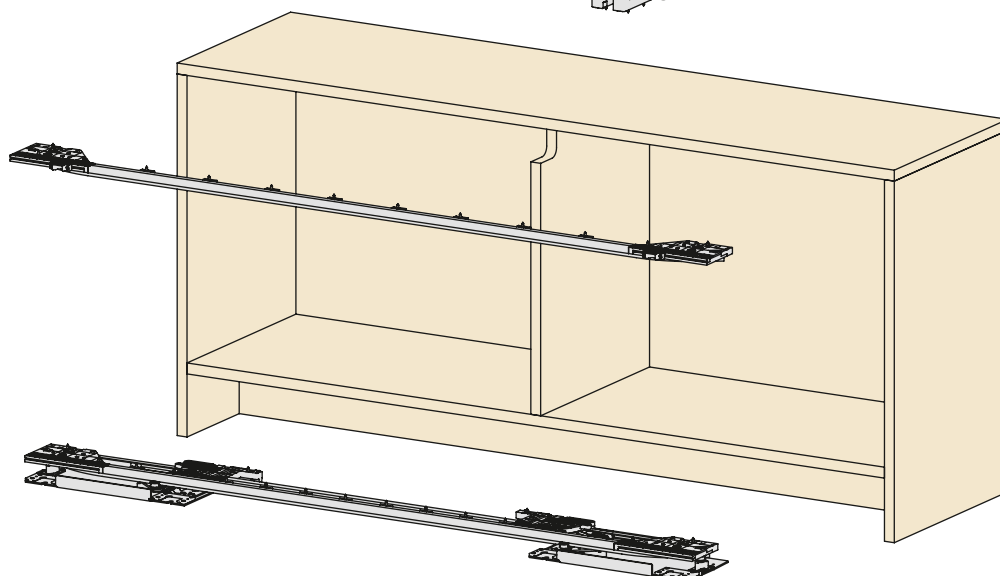
- wall cabinet
  - upper  $\pm 2$  mm
  - lower  $\pm 2,5$  mm
- kitchen cabinet
  - upper  $\pm 2,5$  mm
  - lower  $\pm 2$  mm



### Wall cabinet



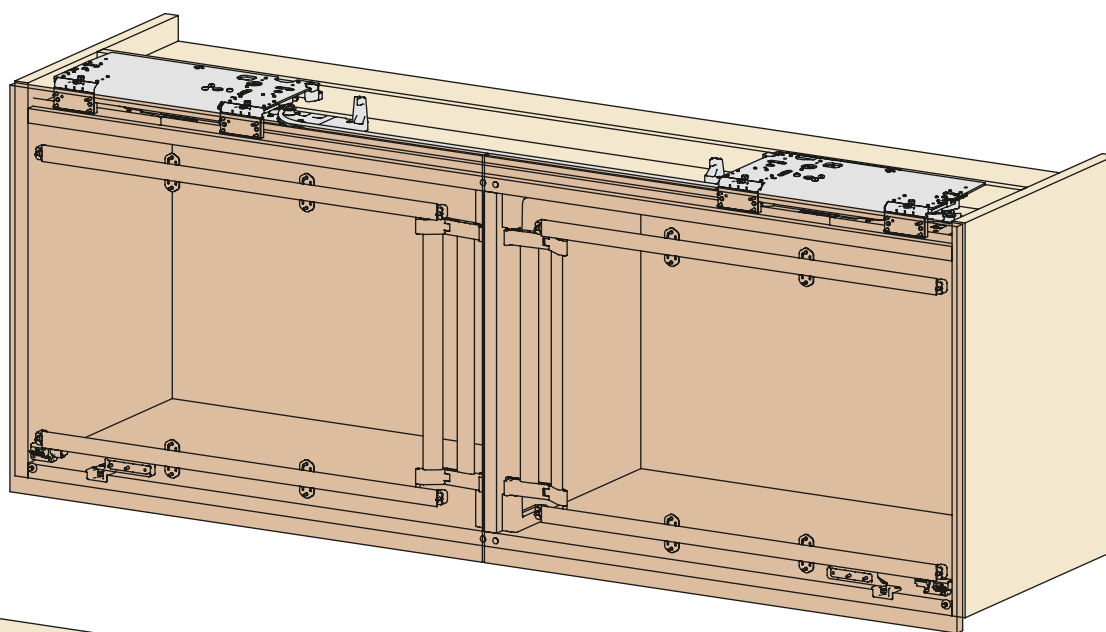
### Kitchen cabinet



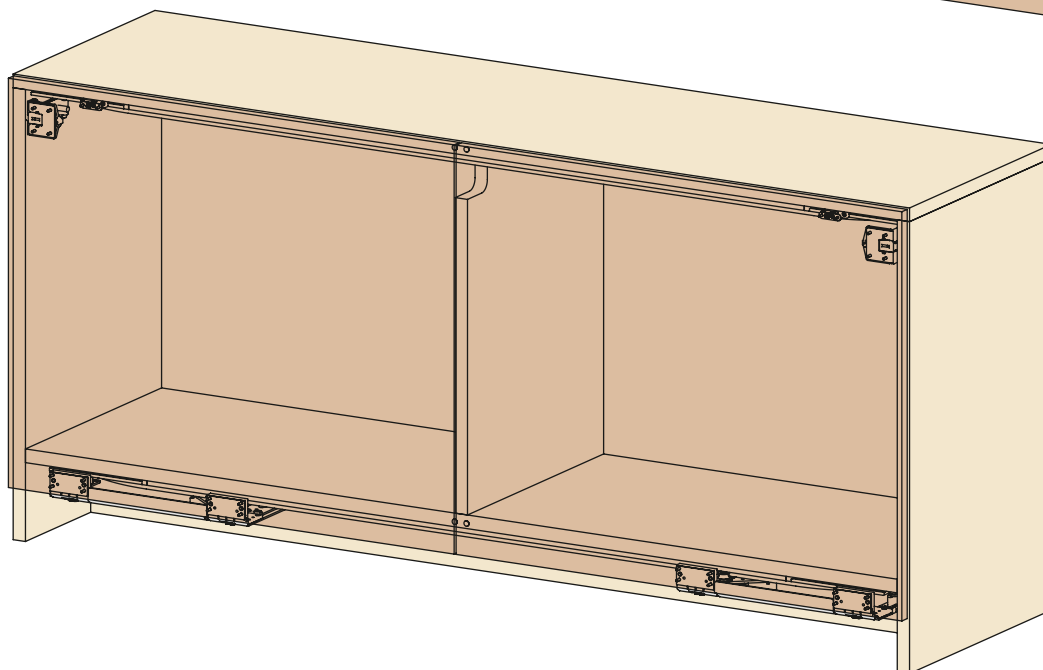
## Key feature

- Extremely easy to customise and assemble.
- Secured with screws without the need of drilling or machining the doors and unit.
- Single-piece sliding track.
- Innovative suspended slider with double horizontal wheels.
- Assisted opening and closing.
- Front adjustment of the doors.
- Wall unit with innovative door runner system.
- Extreme strength and durability, stress-tested with 100,000 cycles.

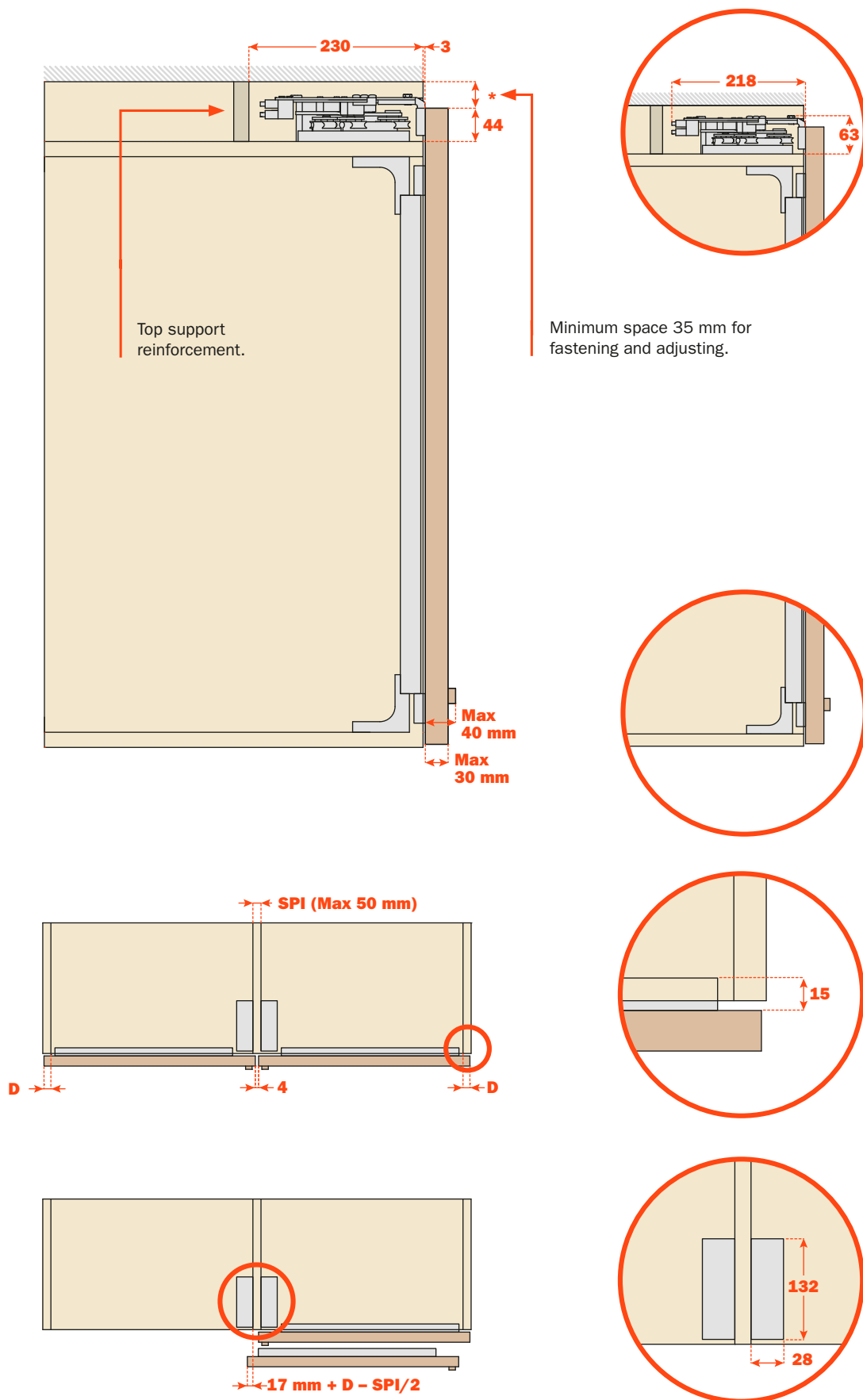
## Wall cabinet



## Kitchen cabinet

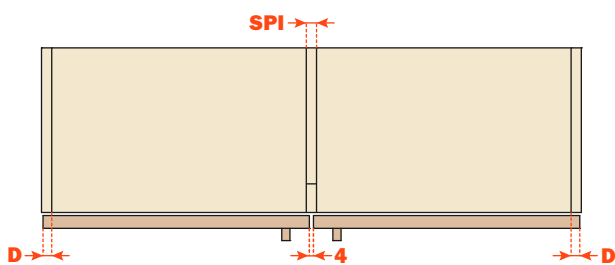
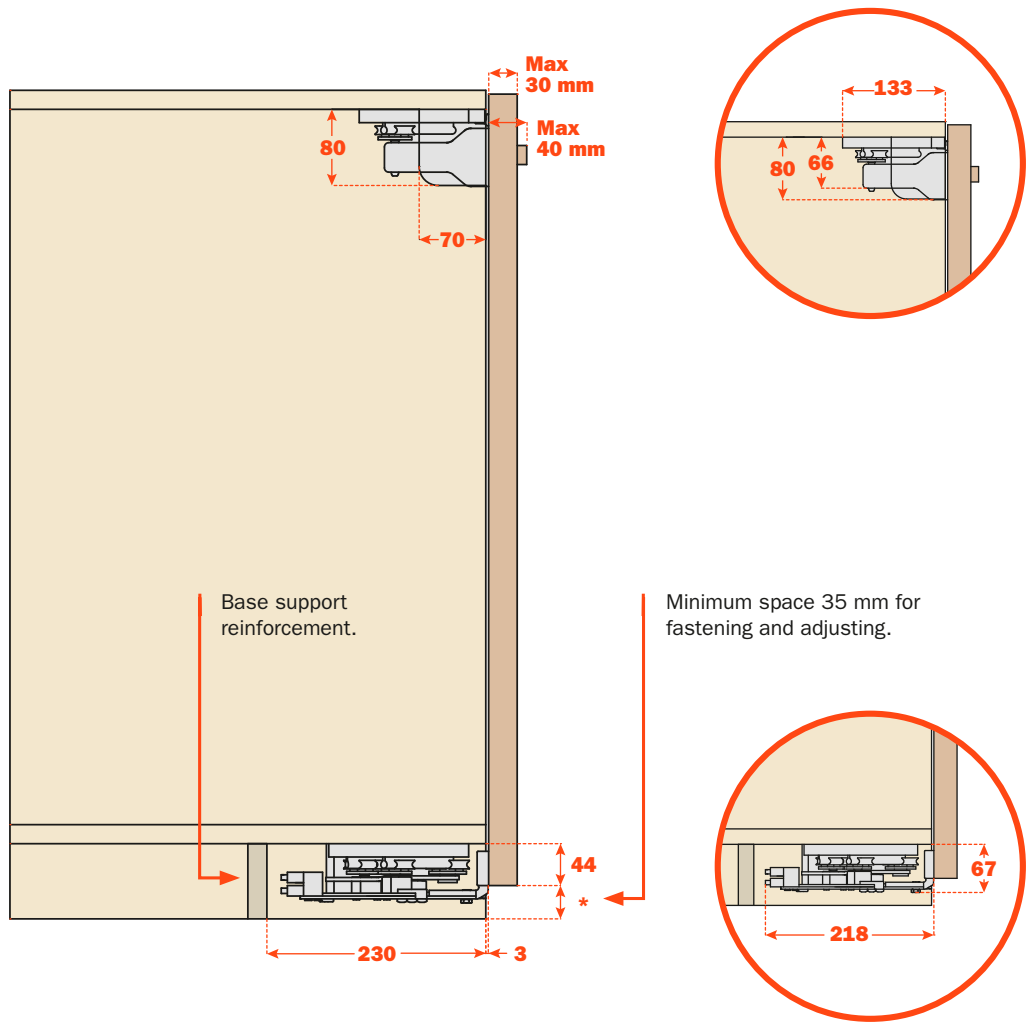


## Wall cabinet

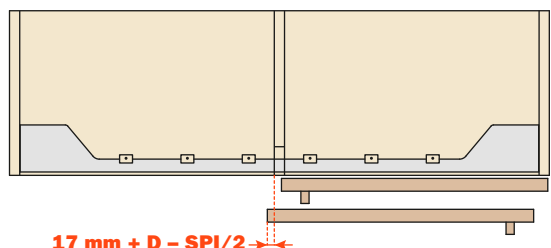




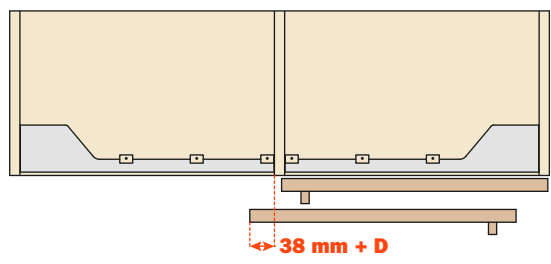
# Kitchen cabinet



Single-piece sliding track.

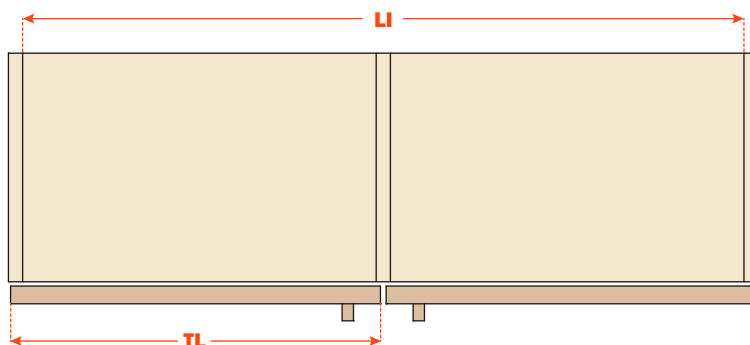


Two-piece sliding track (Only for custom orders).

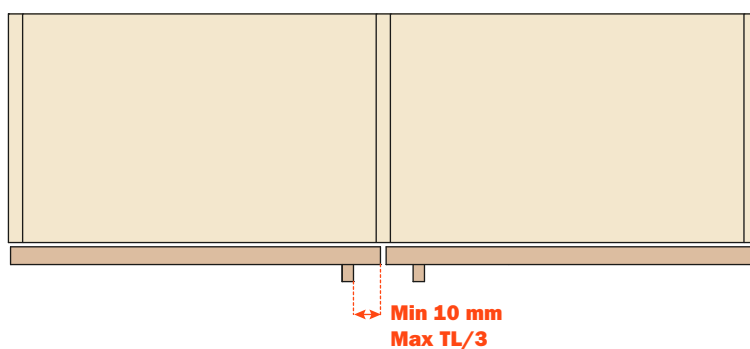


## Slider S10 - How to order

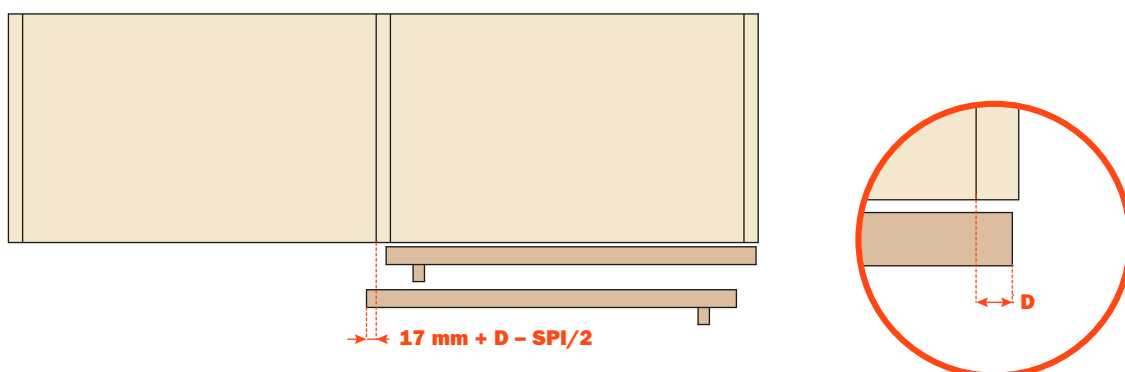
Slider S10 is a flexible system that can be adapted to the internal width of the unit (**LI**) with a minimum of 860 mm to a maximum of 2400 mm.



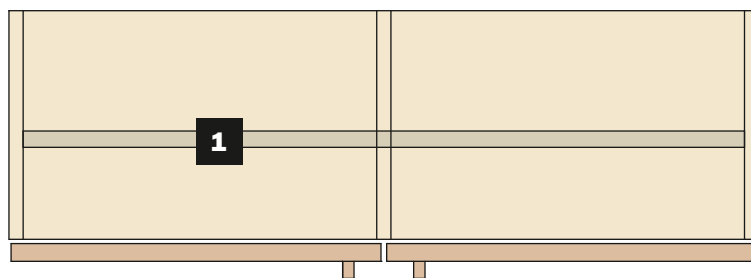
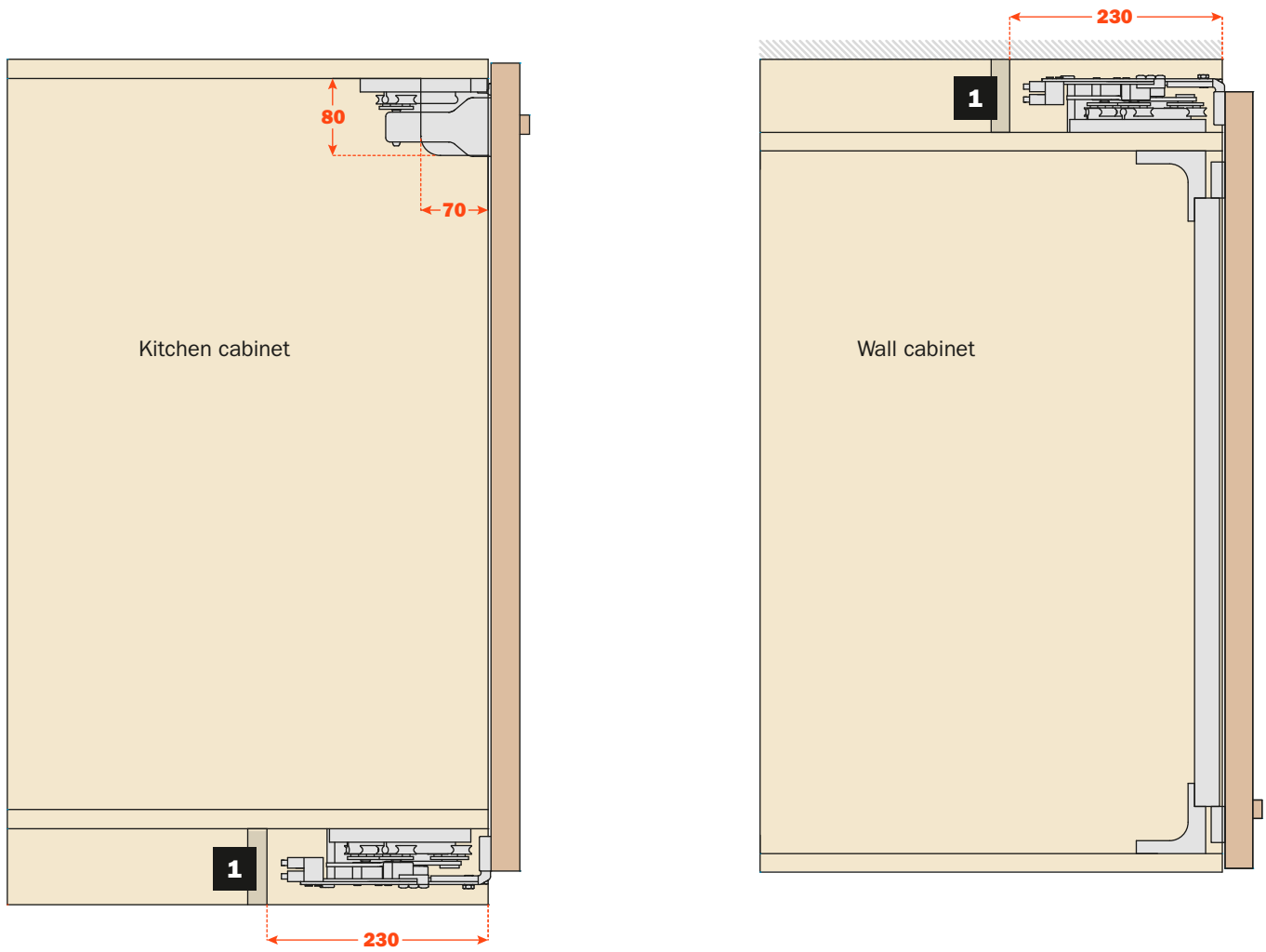
The handle must be positioned at a minimum of 10 mm from the edge of the door (at the centre of the unit) and a maximum of one third of its width (**TL**).



The maximum permitted superimposition (**D**) is 25 mm.

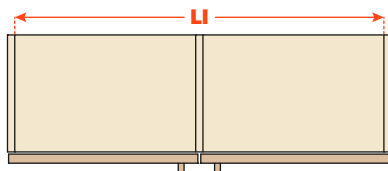


The cabinet has to be constructed so that the bottom panel of the kitchen cabinet, or the top panel of the wall cabinet is sufficiently rigid to prevent it from bending. For this reason, some reinforcement is always recommended **1**.



## Standard

A solution for a whole range of applications that requires the customer to measure and cut aluminium and PVC profiles and to assemble the mechanism. Depending on the internal width of the unit (**LI**), the mechanism is put together using a carriage kit **1** and a profile kit and accessories **2** for kitchen cabinet **M** or wall cabinet **P**.



			LI (mm)						
			860÷987	988÷1115	1116÷1371	1372÷1627	1628÷1883	1884÷2139	2140÷2400
<b>M P</b>	<b>1</b>	VE57KIT0101	<b>M - P</b>						
		VE57KIT0102		<b>M - P</b>					
		VE57KIT0103			<b>M - P</b>				
		VE57KIT0104				<b>M - P</b>			
		VE57KIT0105					<b>M - P</b>		
		VE57KIT0106						<b>M - P</b>	
		VE57KIT0107							<b>M - P</b>
<b>M</b>	<b>2</b>	VE57KIT0201	<b>M</b>	<b>M</b>	<b>M</b>	<b>M</b>			
		VE57KIT0202					<b>M</b>	<b>M</b>	<b>M</b>
<b>P</b>	<b>2</b>	VE57KIT0301	<b>P</b>	<b>P</b>	<b>P</b>	<b>P</b>			
		VE57KIT0302					<b>P</b>	<b>P</b>	<b>P</b>

**Standard**

	<b>Weight (kg)</b>	<b>Volume (m<sup>3</sup>)</b>	<b>Dimensions (cm)</b>
VE57KIT0101	6,05	0,0212	470 x 300 x 150
VE57KIT0102	6,40	0,0225	500 x 300 x 150
VE57KIT0103	6,74	0,0240	535 x 300 x 150
VE57KIT0104	7,43	0,0270	600 x 300 x 150
VE57KIT0105	8,12	0,0297	660 x 300 x 150
VE57KIT0106	8,81	0,0326	725 x 300 x 150
VE57KIT0107	9,50	0,0355	790 x 300 x 150
VE57KIT0201	3,80	0,0252	1750 x 160 x 90
VE57KIT0202	4,30	0,036	2500 x 160 x 90
VE57KIT0301	4,80	0,0252	1750 x 160 x 90
VE57KIT0302	5,30	0,036	2500 x 160 x 90

**Customised systems**

For made to measure orders of 10 pieces or more, the mechanism can be supplied cut and assembled with either a two-piece sliding track or a single-piece sliding track.



# Slider S20







## Slider S20



**S20** is a coplanar system for kitchen cabinets and wall cabinets with doors weighing up to 20 kg. Thanks to the exclusive patented design of the Slider series, door movement and cushioned opening and closing are intuitive, smooth and silent. For some applications, **S20** can be provided with a customisable front cover and the Push system. The latter allows you to open the unit by simply pressing the door: this eliminates the handle leaving you greater design freedom.

Due to its features, **S20** is ideal for cabinets used in the living area, offices, kitchen and sleeping area.





## Technical information

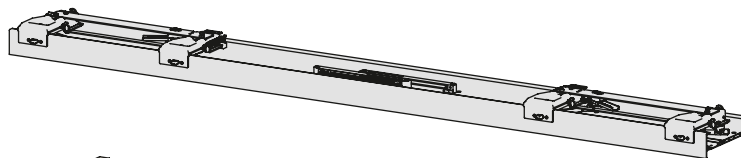
Coplanar two-door cushioned sliding system.  
Capacity 20 kg per door.

Individual door properties:

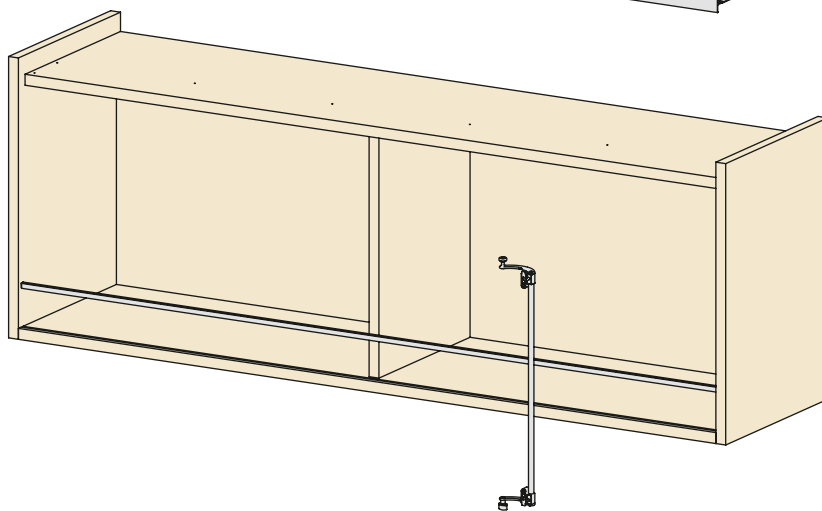
- max. weight per door 20 kg (evenly distributed)
- width:- min. 600 mm  
- max. 1500 mm
- height:- max. 1200 mm
- thickness:- min. 18 mm  
- max. with handle 45 mm
- material:a) wood or derived material  
b) glass with metal frame

Door adjustment: • vertical adjustment  $\pm 4.5$  mm  
• horizontal adjustment  $\pm 3$  mm

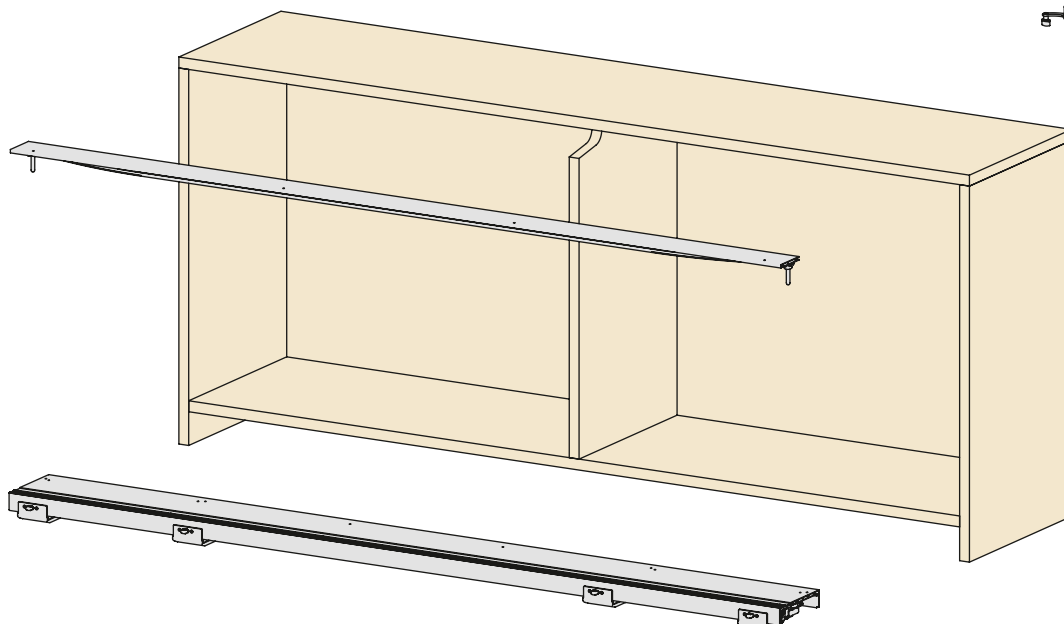
Door front adjustment: • wall cabinet  $\pm 4$  mm  
• kitchen cabinet  $\pm 2$  mm



### Wall cabinet



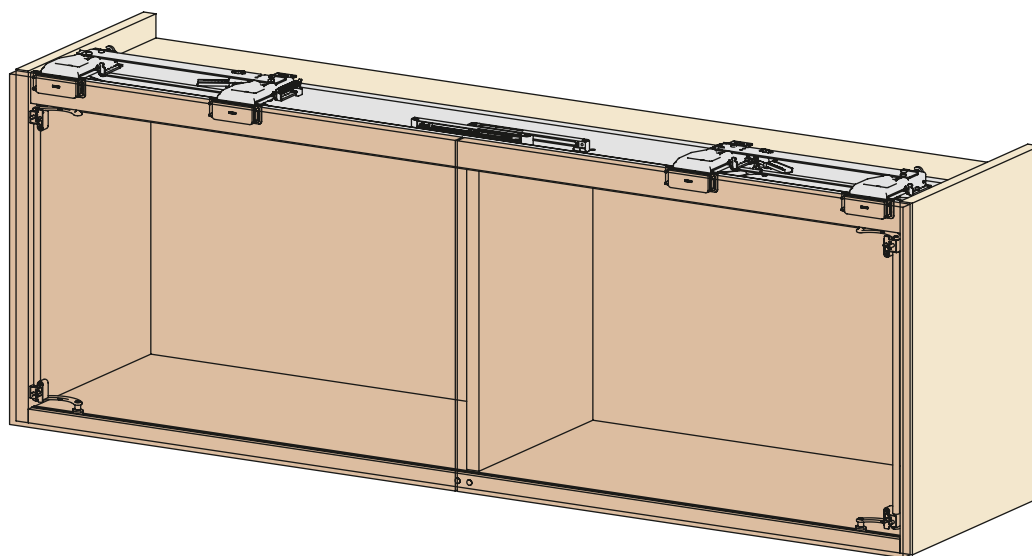
### Kitchen cabinet



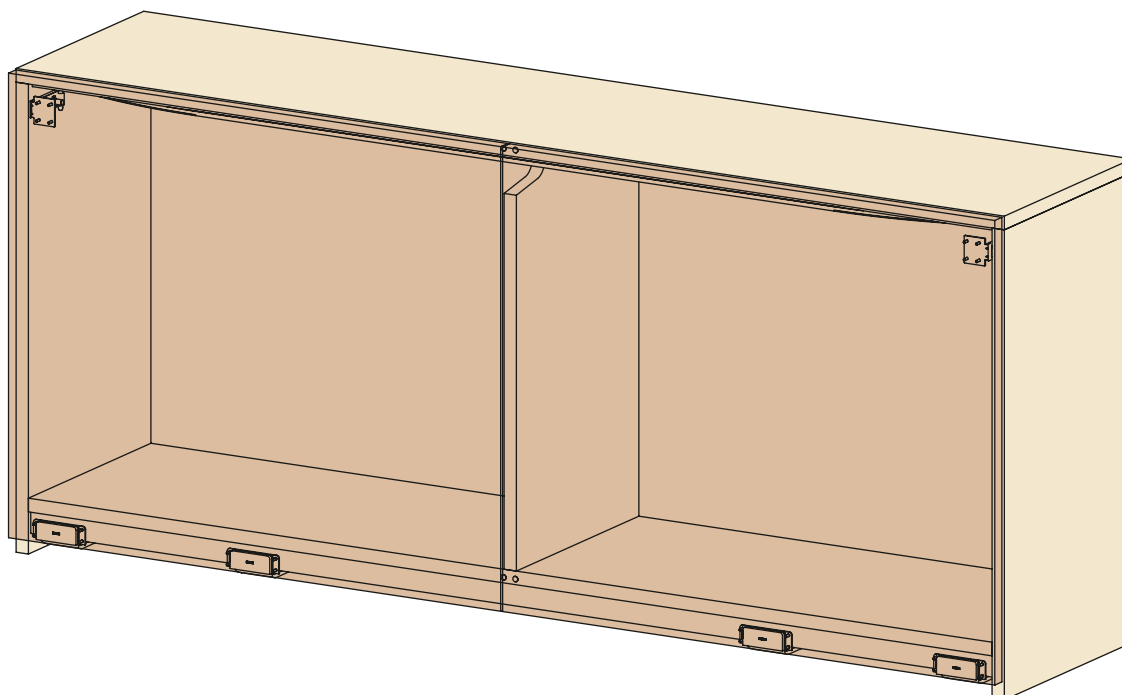
## Key feature

- Aluminium and PVC guide tracks for smooth, silent movement.
- Curves designed to fit the unit size.
- Pre-assembled mechanism for fast, safe assembly.
- Cushioned for opening and closing.
- Push opening mechanism (kitchen cabinets).
- Extremely tough and long-lasting, subjected to 100,000 cycles of the stress test.

## Wall cabinet

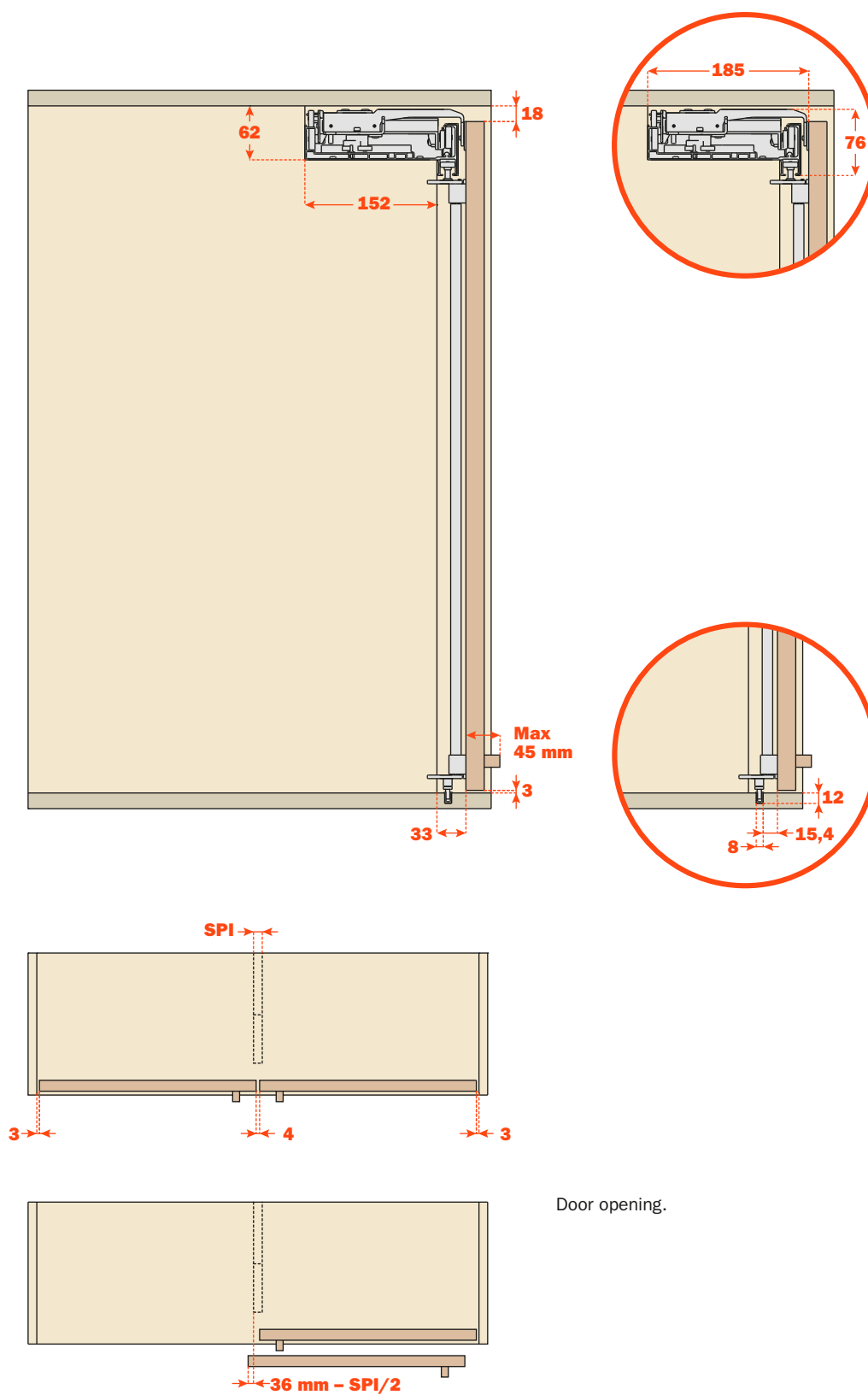


## Kitchen cabinet



## Wall cabinet

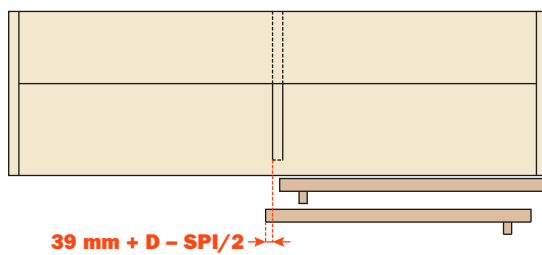
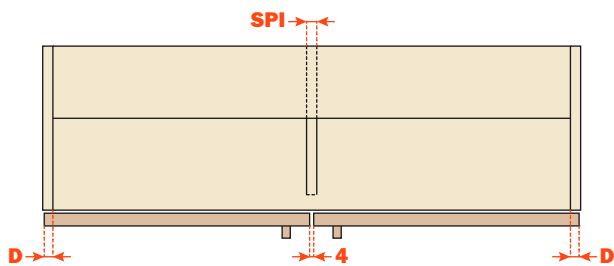
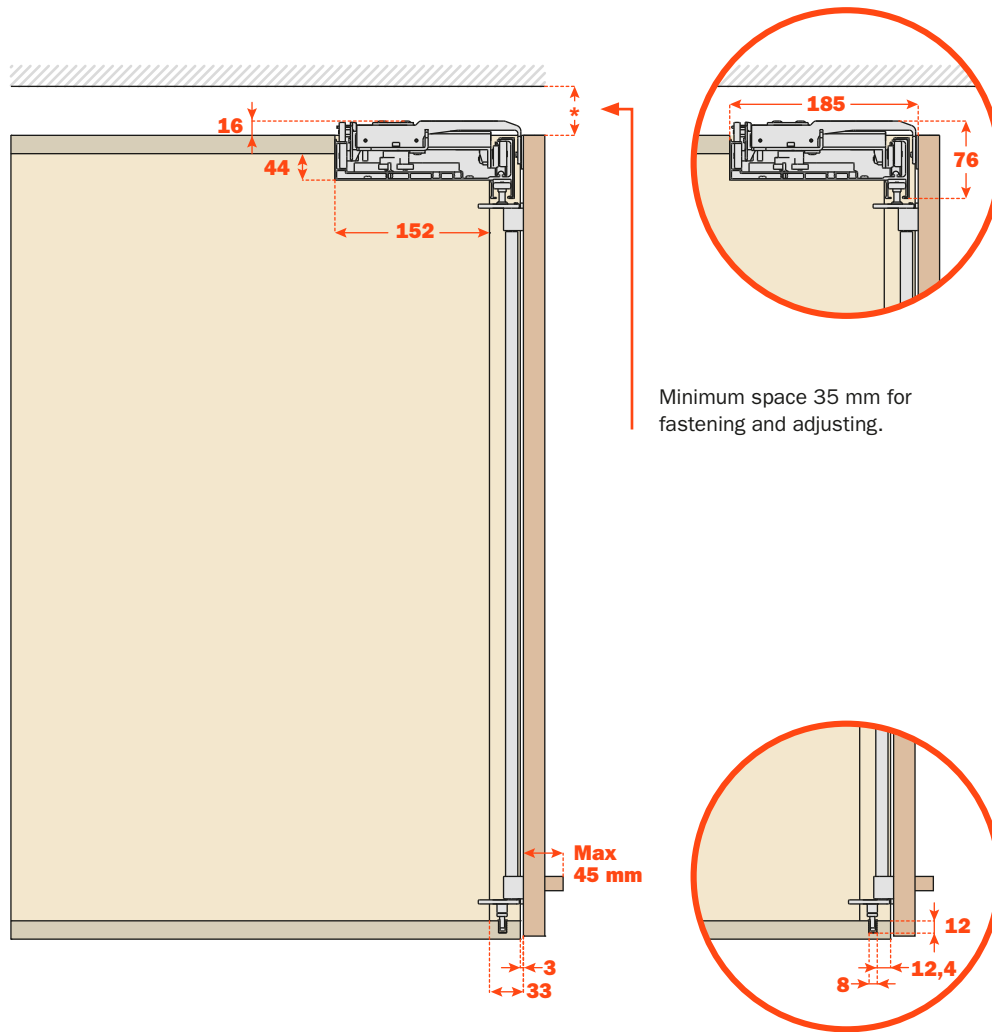
Type 1



Door opening.

# Wall cabinet

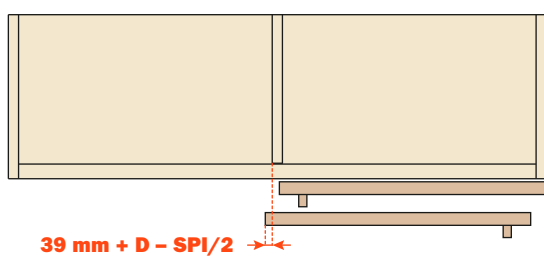
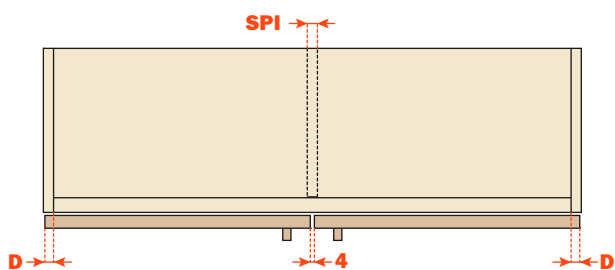
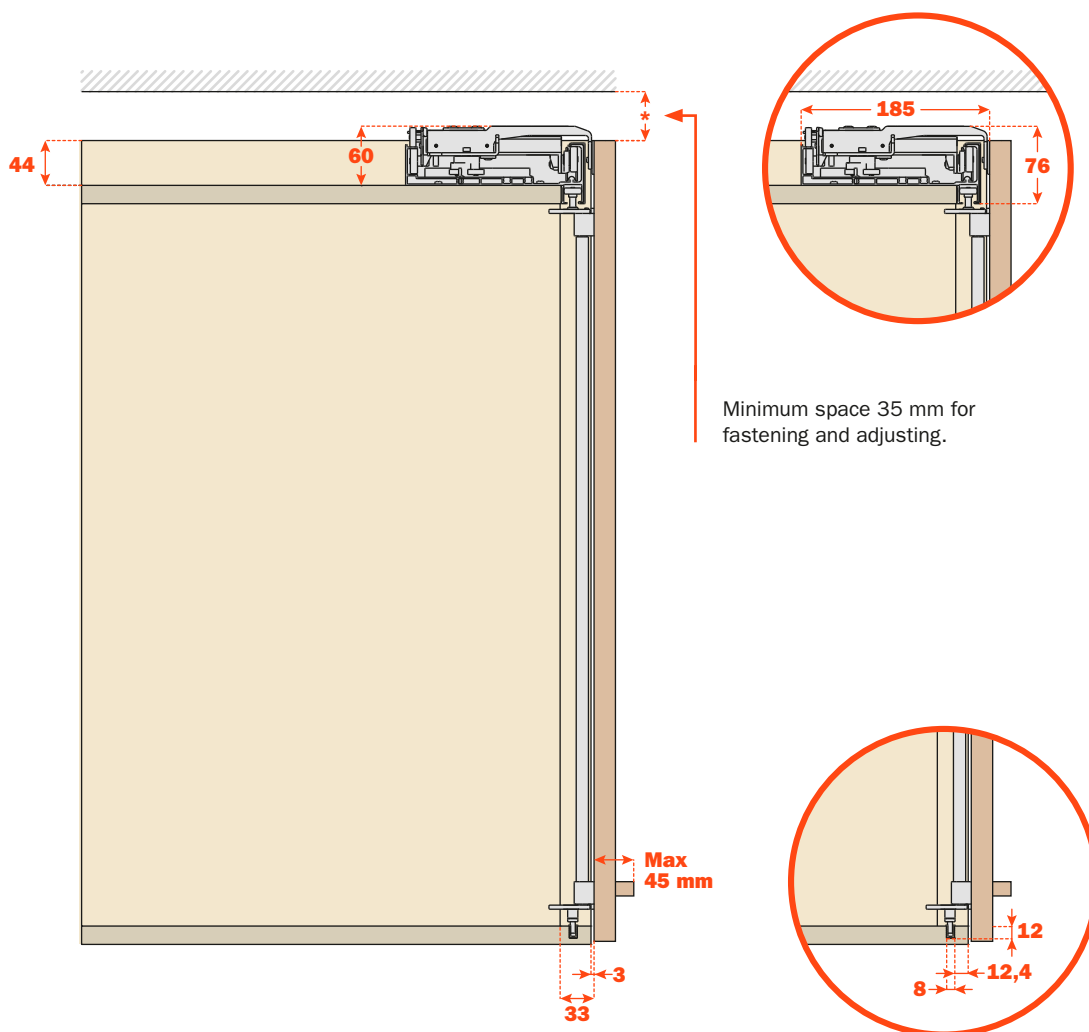
Type 2



Door opening.

## Wall cabinet

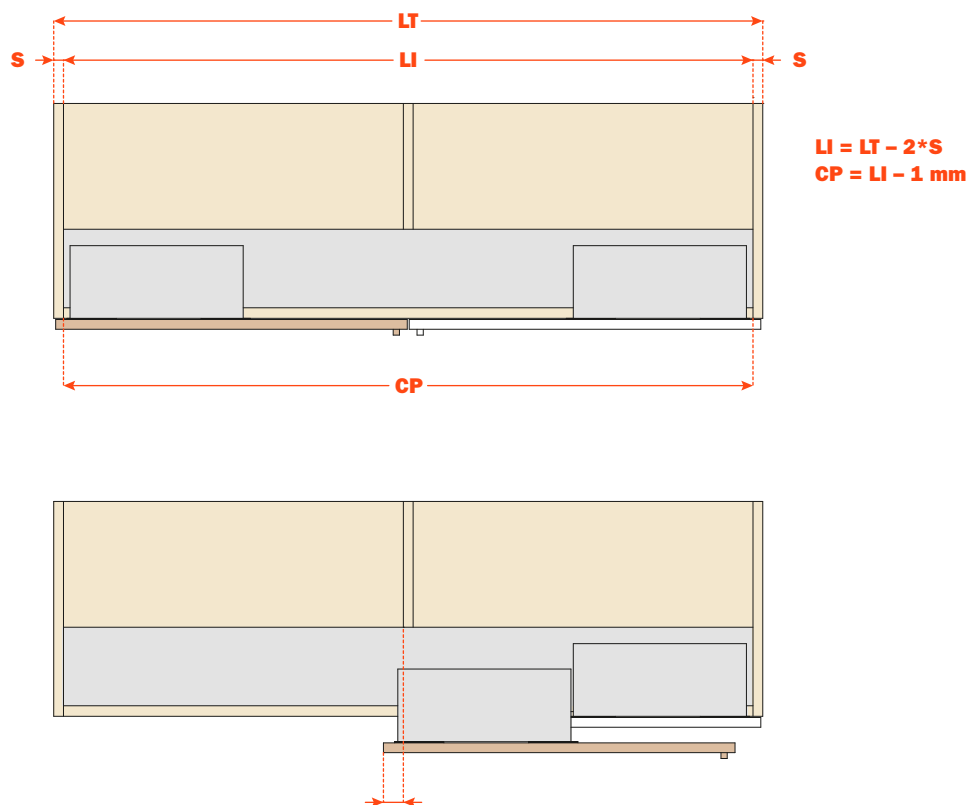
Type 3



Door opening.

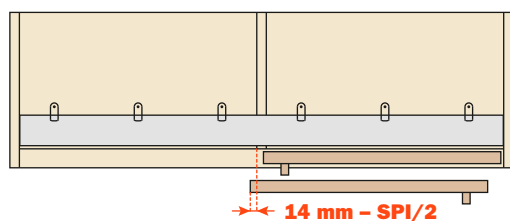
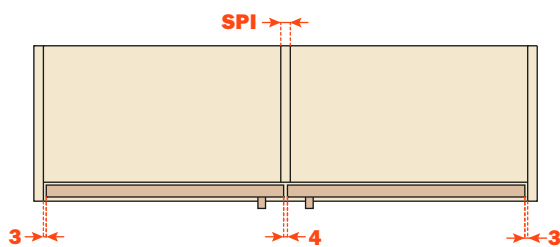
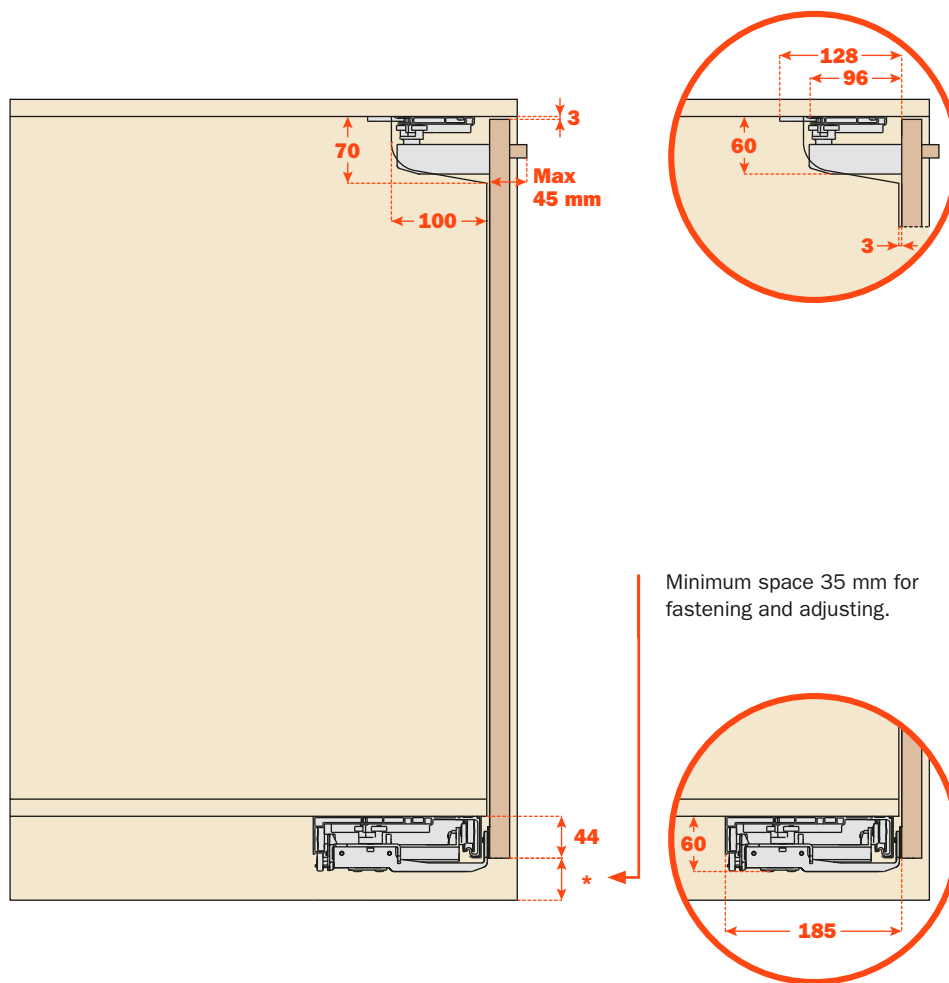
Wall cabinet

The S20 sliders can be customised, i.e., designed for installation on cabinets with internal width (**LI**) equal to the length of the slider rail (**CP**).

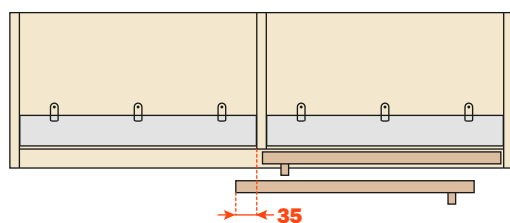


## Kitchen cabinet

Type 4



With one-piece upper runner: door opening.

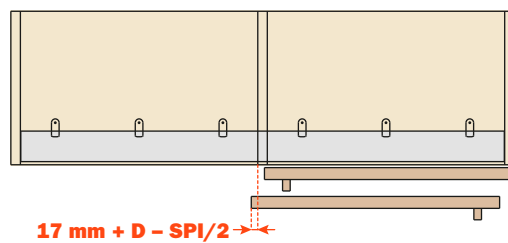
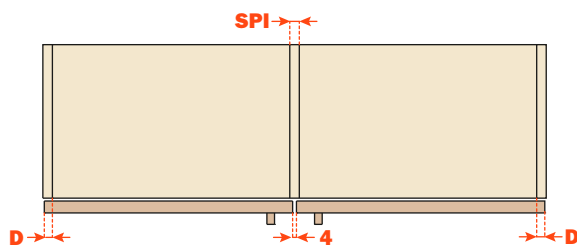
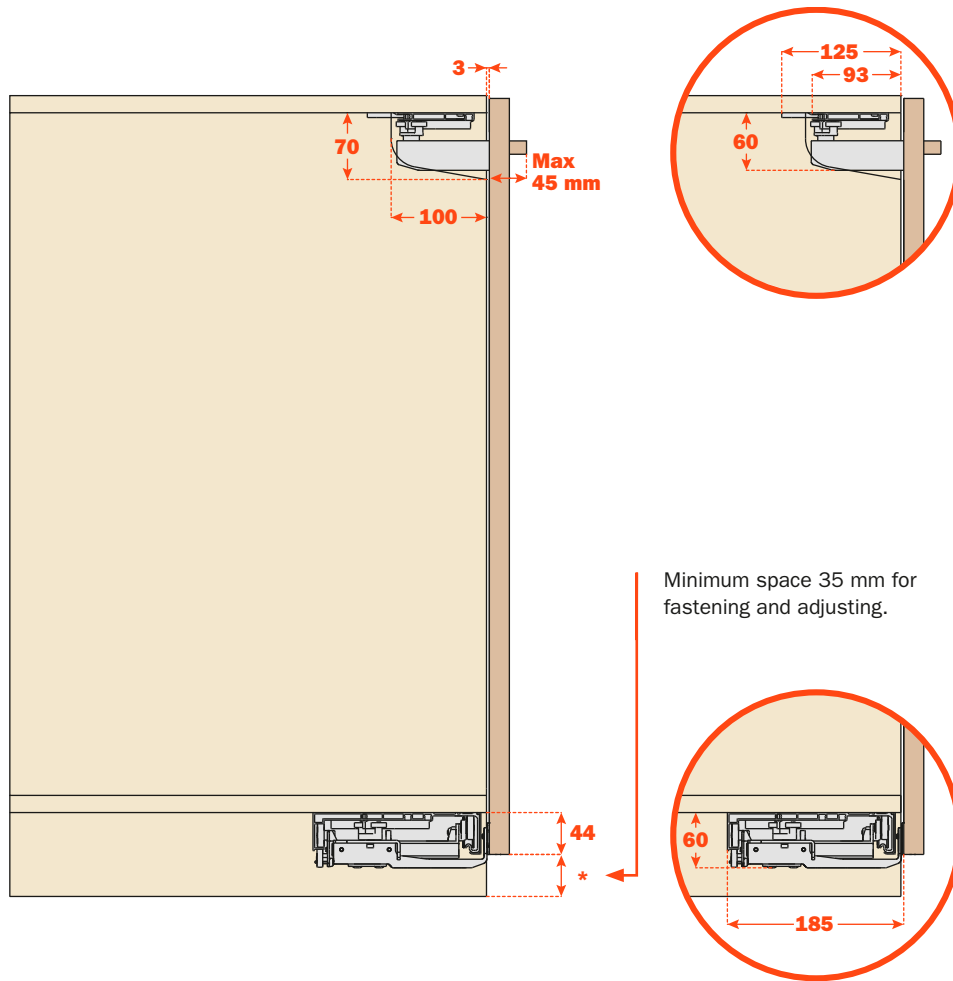


With two-pieces upper runner.

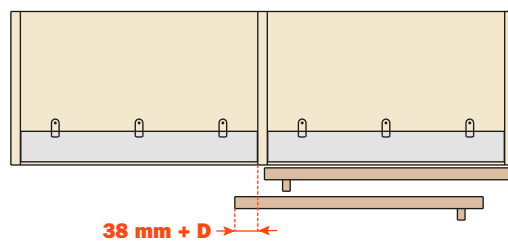


# Kitchen cabinet

Type 5



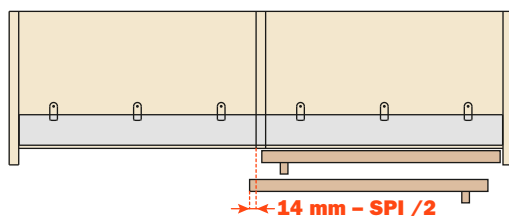
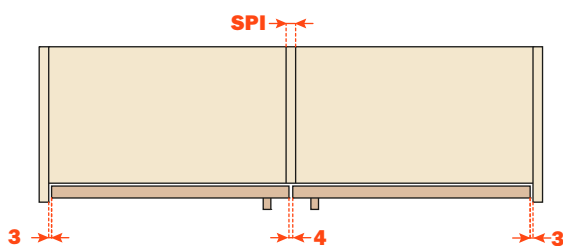
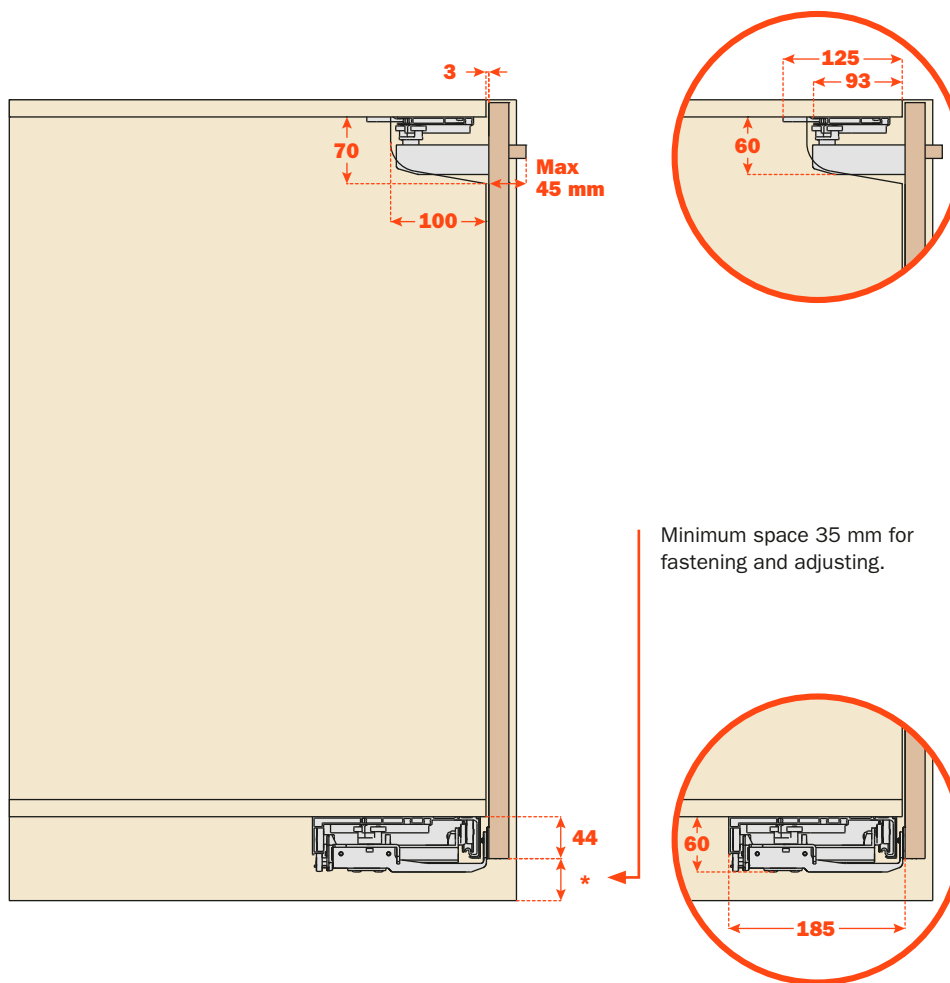
With one-piece upper runner: door opening.



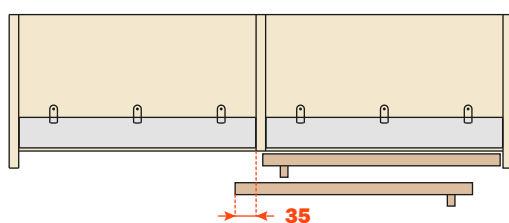
With two-pieces upper runner.

## Kitchen cabinet

Type 6



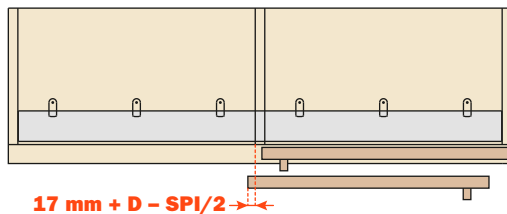
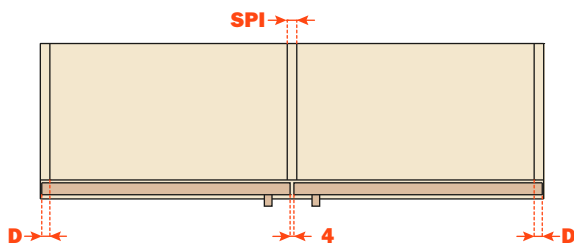
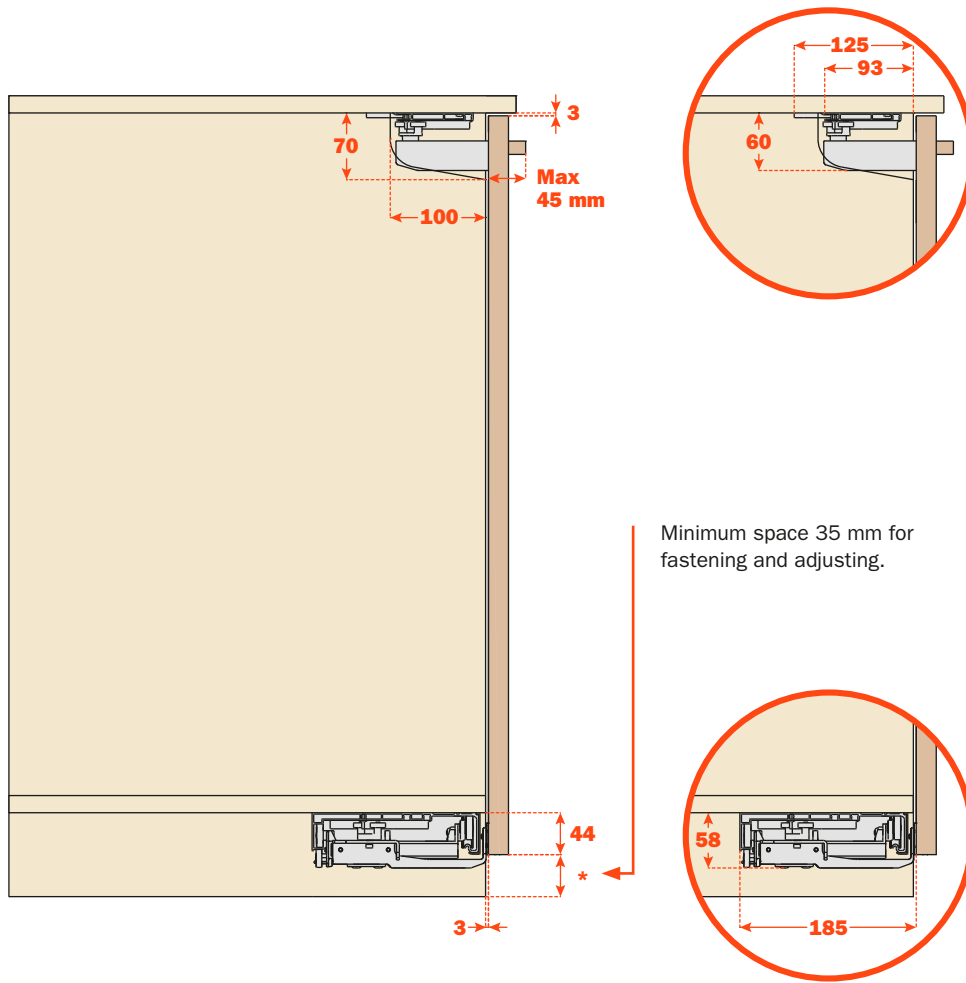
With one-piece upper runner: door opening.



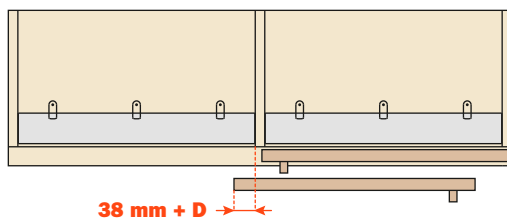
With two-pieces upper runner.

# Kitchen cabinet

Type 7



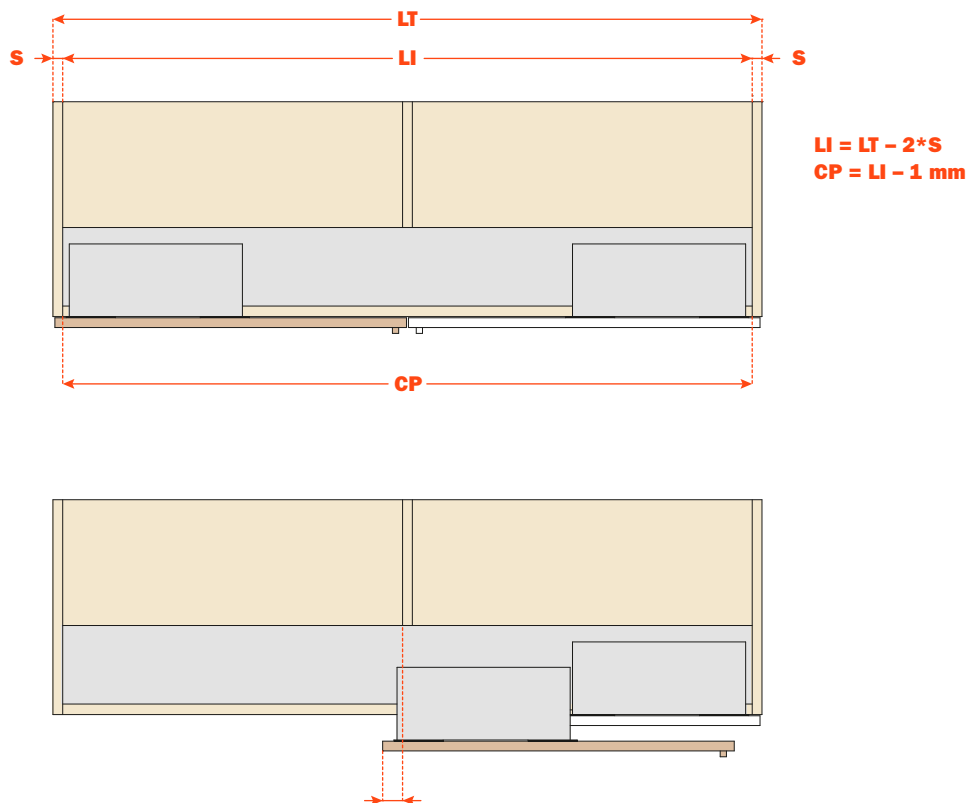
With one-piece upper runner: door opening.



With two-pieces upper runner.

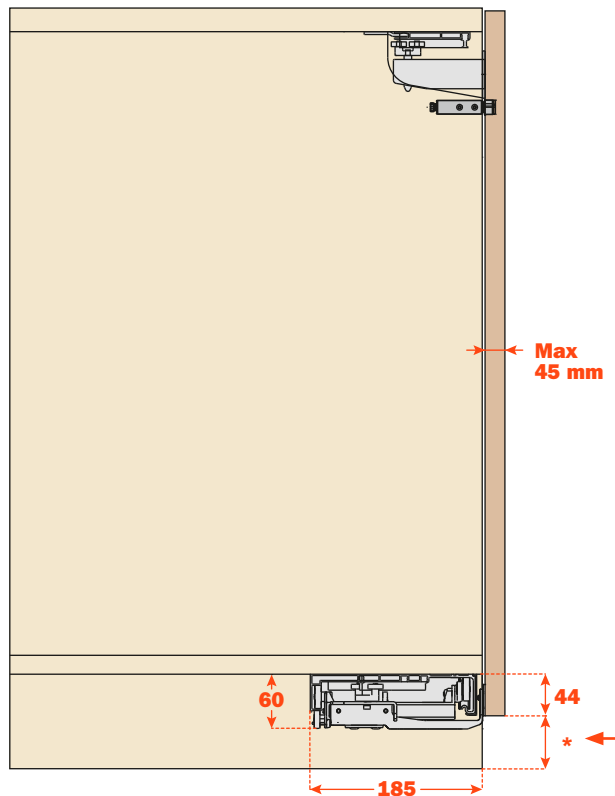
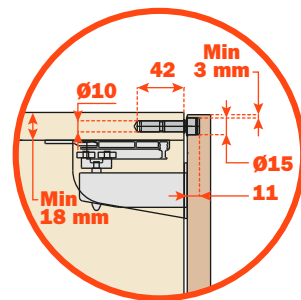
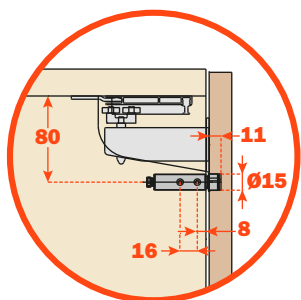
## Kitchen cabinet

The S20 sliders can be customised, i.e., designed for installation on cabinets with internal width (**LI**) equal to the length of the slider rail (**CP**).

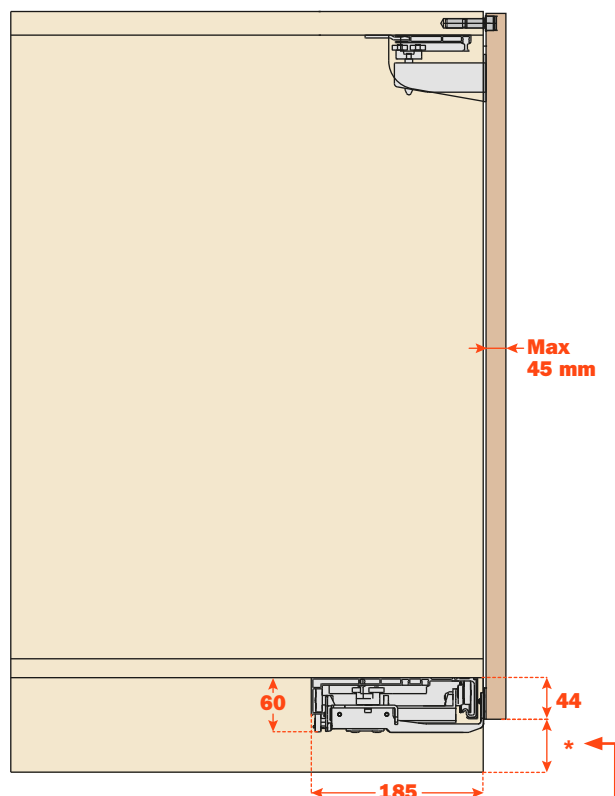


## Kitchen cabinet

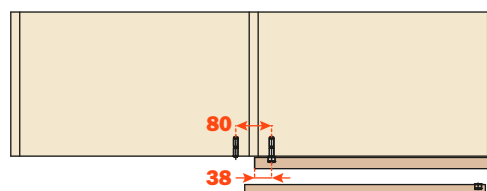
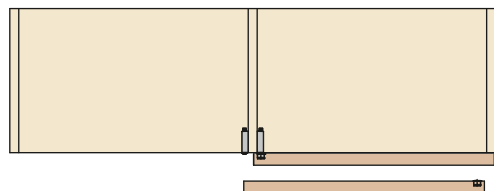
Type 1



Minimum space 35 mm for fastening and adjusting.

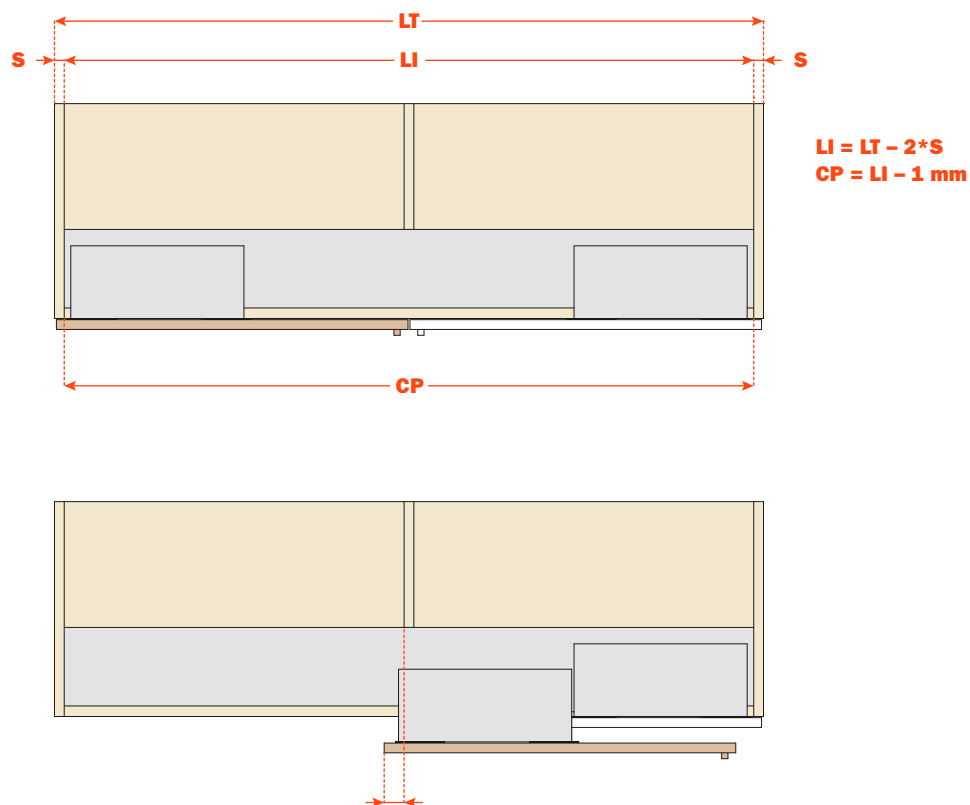


Minimum space 35 mm for fastening and adjusting.

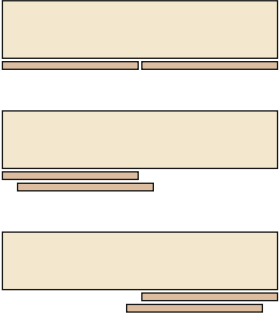

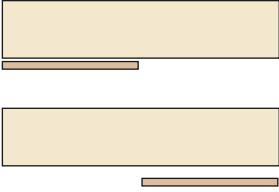

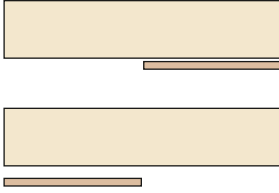

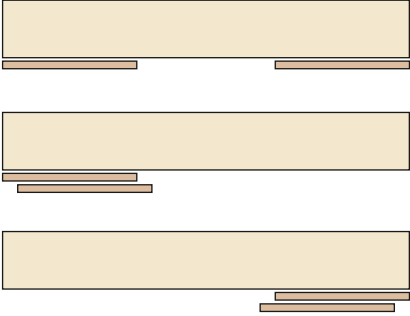

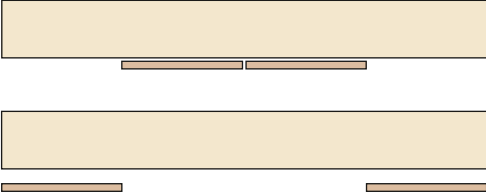



## Kitchen cabinet

The S20 PUSH sliders can be customised, i.e., designed for installation on cabinets with internal width (**LI**) equal to the length of the slider rail (**CP**). Salice push mechanism included.



PUSH version available only for kitchen cabinets (Type **4-5-6-7**).

<p><b>Standard</b></p>		<p><b>Slider S10</b> <b>Slider S20</b></p>	 <p><b>Slider S20</b></p>
<p><b>One</b></p>		<p><b>Slider S10</b> <b>Slider S20</b></p>	 <p><b>Slider S20</b></p>
<p><b>One</b></p>		<p><b>Slider S10</b> <b>Slider S20</b></p>	 <p><b>Slider S20</b></p>
<p><b>Step</b></p>		<p><b>Slider S20</b></p>	 <p><b>Slider S20</b></p>
<p><b>Reverso</b></p>		<p><b>Slider S20</b></p>	 <p><b>Slider S20</b></p>

**ARTURO SALICE S.p.A.**

VIA PROVINCIALE NOVEDRATESE, 10  
22060 NOVEDRATE (COMO) ITALIA  
TEL. 031 790424  
FAX 031 791508  
info.salice@salice.com  
www.salice.com

**BORTOLUZZI SISTEMI S.p.A.**

VIA CADUTI 14 SETTEMBRE 1944, 45  
32100 BELLUNO ITALIA  
TEL. 0437 930866  
FAX 0437 931442  
info@bortoluzzi.com  
www.bortoluzzi.com

**DEUTSCHE SALICE GMBH**

RUDOLF DIESEL STR. 10  
POSTFACH 1154  
74382 NECKARWESTHEIM  
TEL. 07233 9807-0  
FAX. 07233 9807-16  
info.salice@deutschesalice.de  
www.deutschesalice.de

**SALICE UK LTD.**

KINGFISHER WAY  
HINCHINGBROOKE BUSINESS PARK  
HUNTINGDON CAMBS PE 29 6FN  
TEL. 01480 413831  
FAX. 01480 451489  
info.salice@saliceuk.co.uk  
www.saliceuk.co.uk

**DEUTSCHE SALICE GMBH**

VERKAUFSBÜRO NORD  
RINGSTRASSE 36/A30 CENTER  
32584 LÖHNE  
TEL. 05731 15608-0  
FAX. 05731 15608-10  
vknord@deutschesalice.de  
www.deutschesalice.de

**SALICE AMERICA INC.**

2123 CROWN CENTRE DRIVE  
CHARLOTTE NC. 28227  
TEL. 704 8417810  
FAX. 704 8417808  
info.salice@saliceamerica.com  
www.saliceamerica.com

**SALICE FRANCE S.A.R.L.**

ROUTE DE GOA ZAC LES 3 MOULINS  
06600 ANTIBES  
TEL. 0493 330069  
FAX. 0493 330141  
info.salice@salicefrance.com  
www.salicefrance.com

**SALICE CANADA INC.**

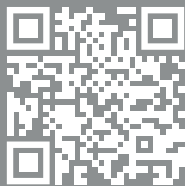
3500 RIDGEWAY DRIVE,  
UNIT#1  
MISSISSAUGA, ONTARIO, L5L 0B4  
TEL. 905 8208787  
FAX. 905 8207226  
info.salice@salicecanada.com  
www.salicecanada.com

**SALICE ESPAÑA, S.L.U.**

CALLE COPÉRNICO, 11  
POLÍGONO INDUSTRIAL  
COLL DE LA MANYA  
08403 GRANOLLERS (BARCELONA)  
TEL. 938 45 88 61  
FAX 938 49 11 97  
info.salice@saliceespana.es  
www.saliceespana.es

**SALICE CHINA  
(SHANGHAI) CO. LTD.**

1st FLOOR, B1 BLDG 928 MINGZHU ROAD  
XUJING, QINGPU DISTRICT  
SHANGHAI 201702 - CHINA  
Tel. 021 3988 9880  
Fax 021 3988 9882  
info.salice@salicechina.com  
www.salicechina.com

**Digital contents:**

- **Technical pamphlet in Pdf format**

**We reserve the right to change technical specifications without notice.**

DOCASS001ENG  
Ed. 02 - 03/2019

