



Wind

SALICE

Wind



Wind is characterised by compactness and elegant design.

Combining the highest levels of performance with smooth and perfectly controlled movement, Wind is small, unobtrusive and elegantly designed. This compact lift system has strong functional appeal and takes up a minimum of valuable storage space.

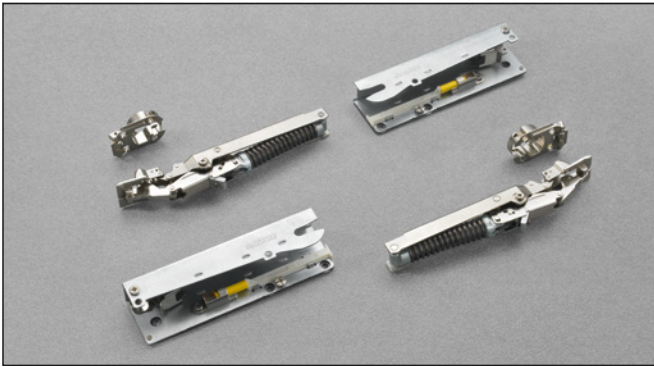
Wind is versatile and suitable for a vast range of furniture applications: office furniture, kitchens, bathrooms, living- and bedroom furniture.

With an optional carrier, Wind can be used in corner cabinets and for doors of large weight and dimensions.

This system incorporates a soft close mechanism for decelerated closing or the Push self-opening system for handle-less doors. Wind is available in numerous attractive finishes.



Wind

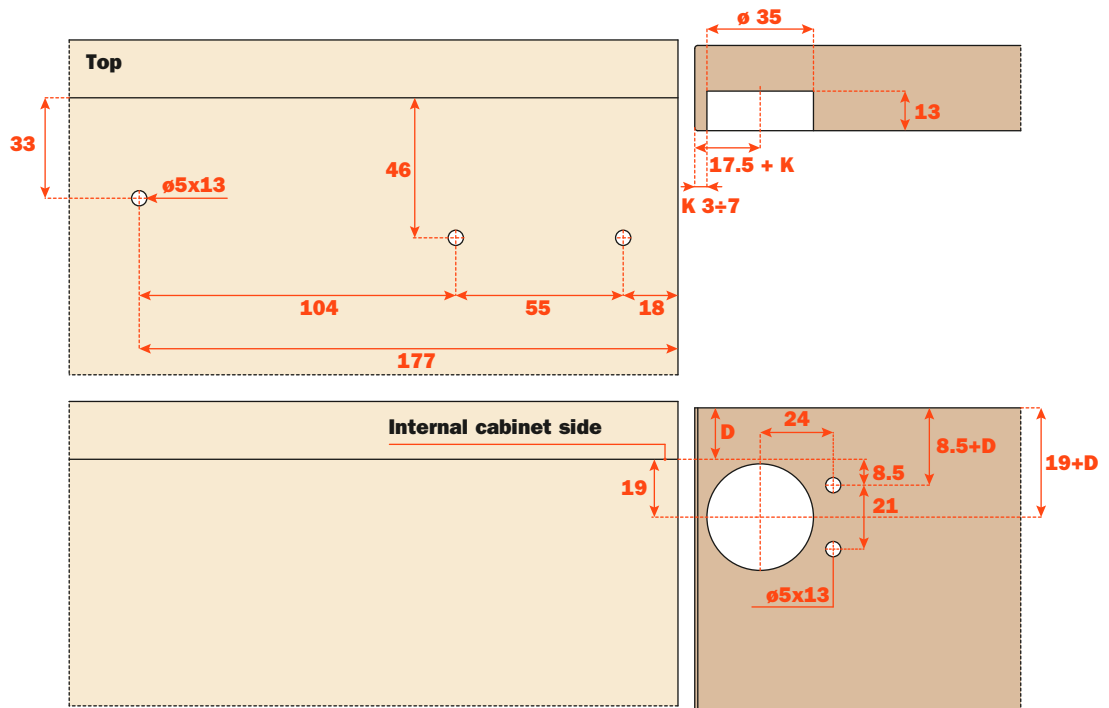


Technical information

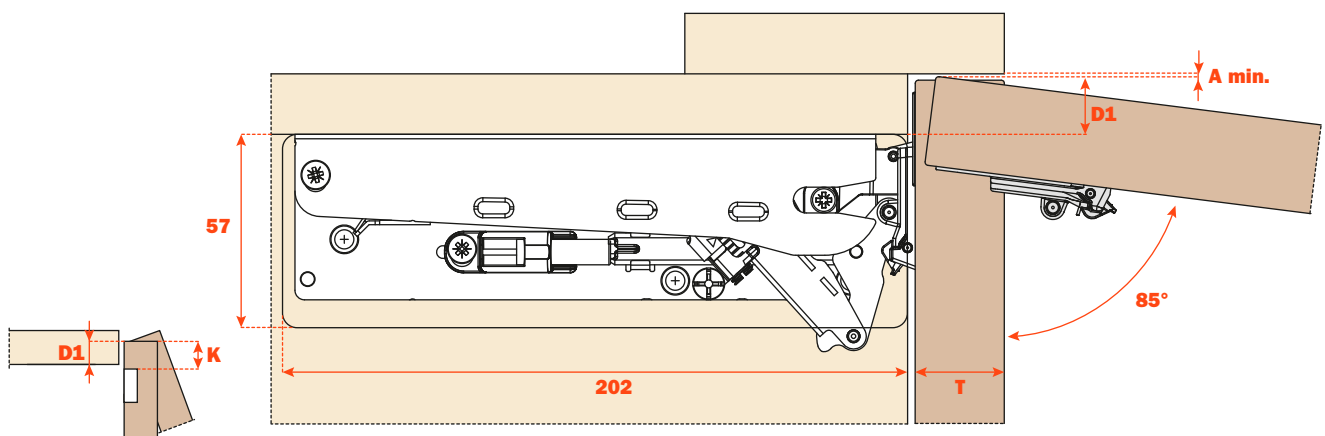
Flap door lift system fixed to the cabinet sides.

Drilling of the door $\varnothing 35$.
 13 mm deep cup.
 85° opening with stop device (premounted).
 94° opening without stop device.
 Possible drilling distance on the door (K): from 3 to 7 mm.

Drilling patterns.



Space needed to open the door.

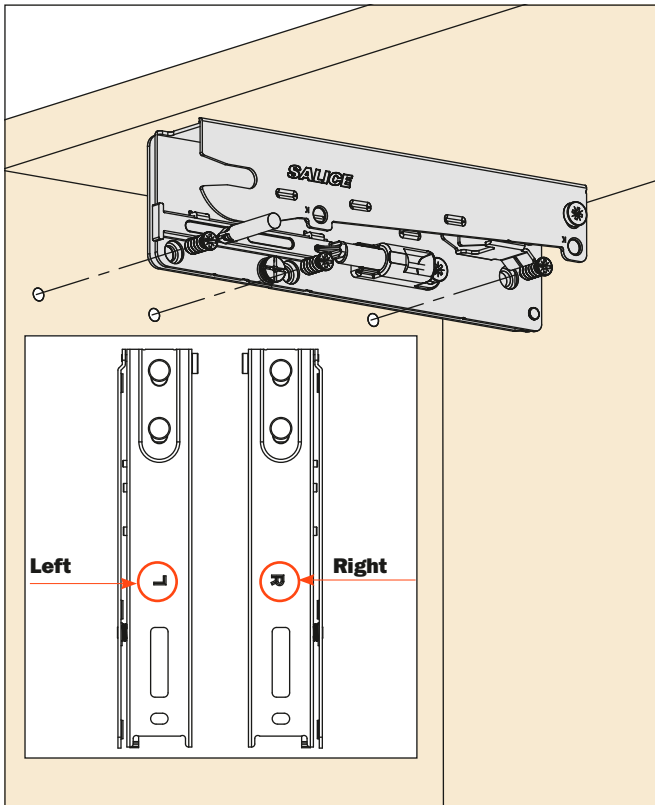


K	D1
3	= 16
4	= 17
5	= 18
6	= 19
7	= 20

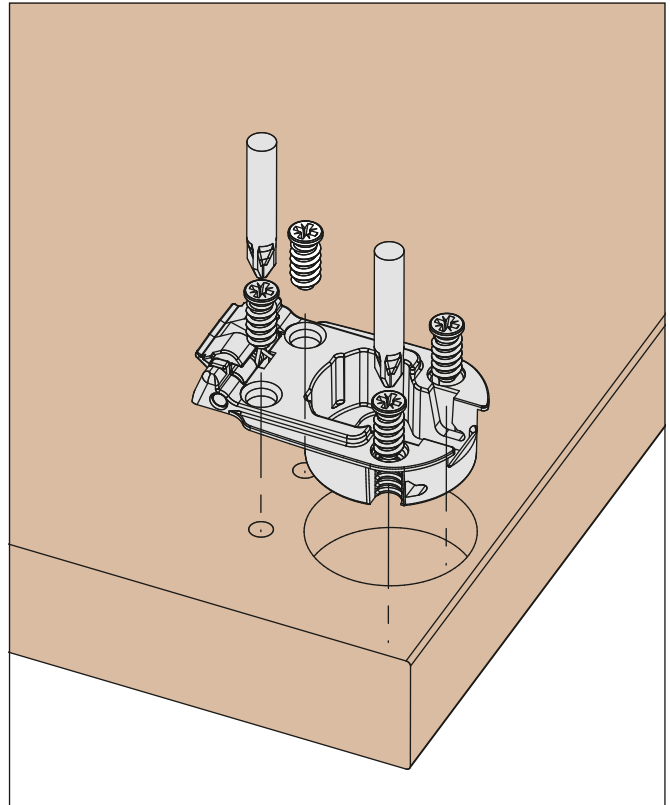
T=	16	17	18	19	20	21	22	23	24	25	26	27	28	
K=3	A = min	0	0.1	0.1	0.2	0.2	0.3	0.5	0.6	0.7	0.9	1.1	1.8	2.7
K=4	A = min	0	0.1	0.1	0.2	0.2	0.3	0.4	0.6	0.7	0.9	1.1	1.3	2.1
K=5	A = min	0	0.1	0.1	0.2	0.2	0.3	0.4	0.6	0.7	0.9	1.1	1.3	1.5
K=6	A = min	0	0.1	0.1	0.2	0.2	0.3	0.4	0.6	0.7	0.9	1.0	1.2	1.5
K=7	A = min	0	0.1	0.1	0.2	0.2	0.3	0.4	0.6	0.7	0.8	1.0	1.2	1.4

Assembly instructions

Fixing the plates to the cabinet sides.

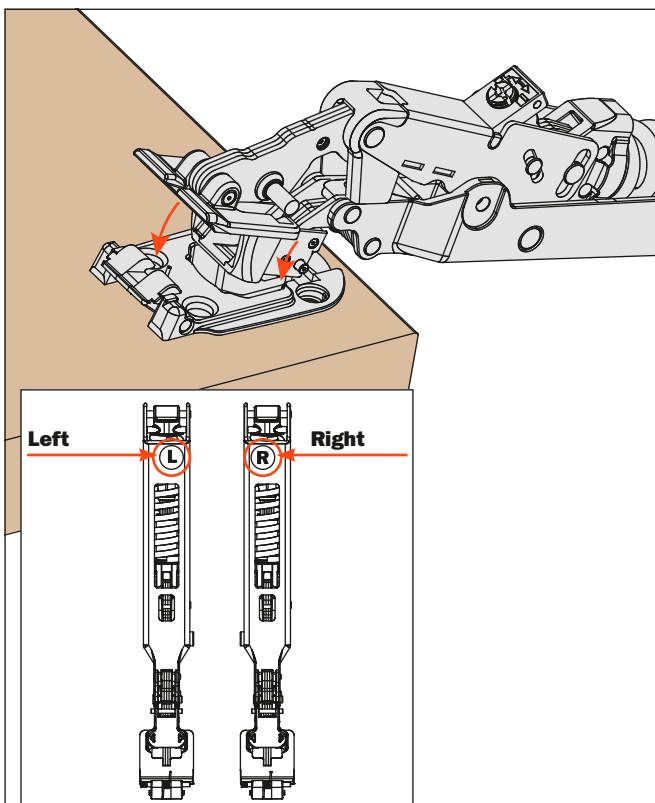


Fixing the cups to the door.



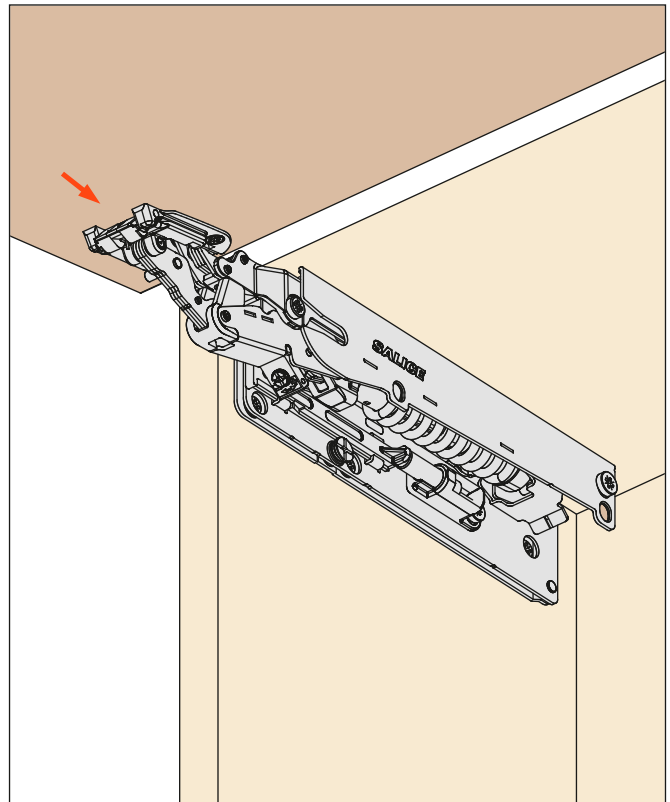
Deploying the system to the cups.

Connecting the system to the cups.
This operation is tool free.



Installing the system to the plates.

Inserting the system until the back fixing is engaged.
This operation is tool free.



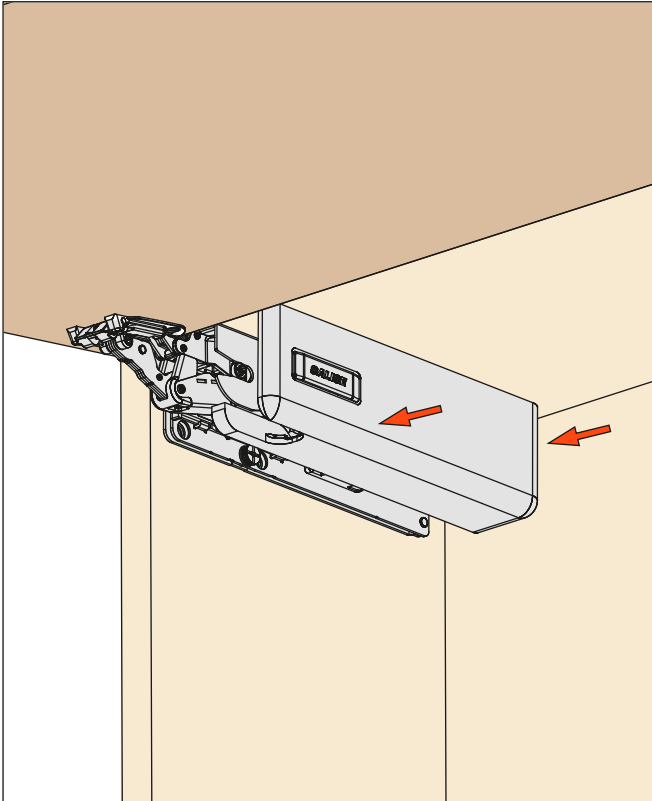
Wind - Assembly instructions

Installing the covers.



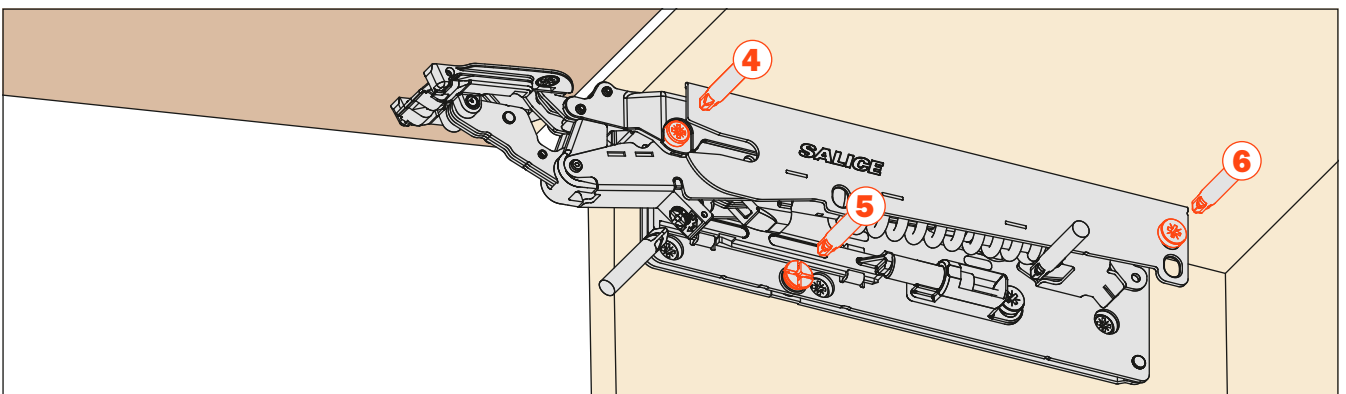
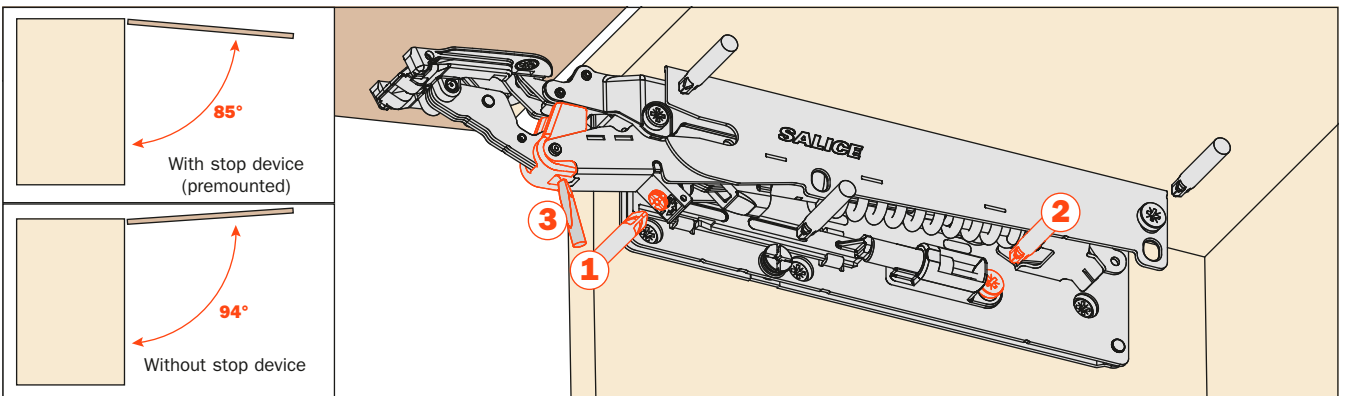
WARNING ! Security cable ties.

Remove the cable ties only at the end of the assembly. Use the instructions and the QR Code attached to the systems.



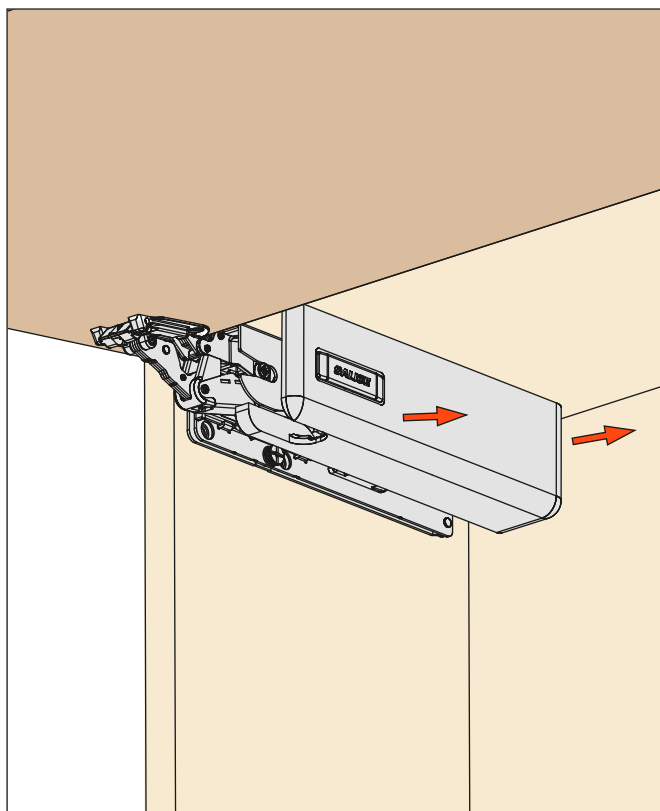
Adjustments.

- 1 - adjustment of the spring strength.
- 2 - adjustment of the decelerating effect.
- 3 - extension/adjustment of the opening angle of the door.
- 4 - height adjustment of the door from - 2 to +2.
- 5 - sideways adjustment of the door from - 2 to +2.
- 6 - depth adjustment of the door from - 1 to +3.



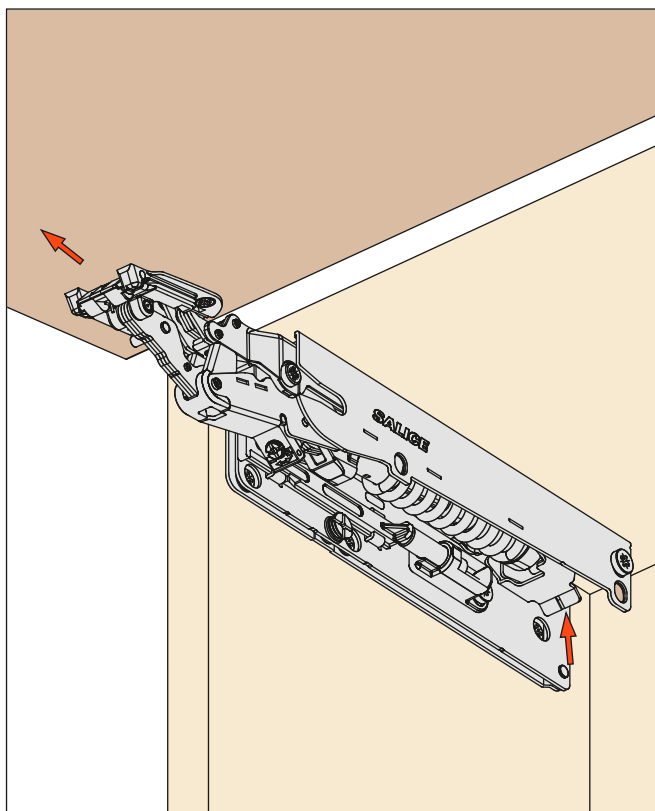
Disassembly instructions

Removal of the covers.



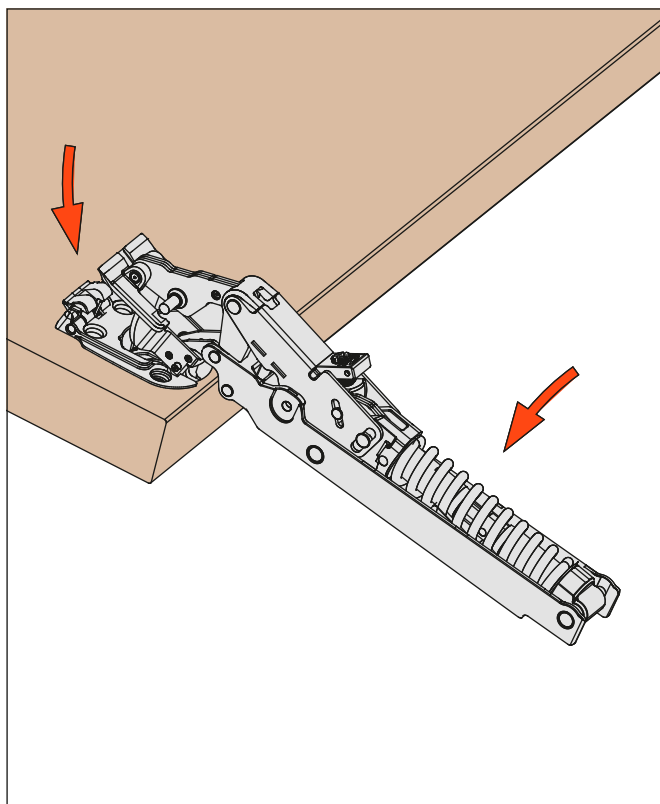
Disassembly of the system.

Press the back lever and pull out the system.
This operation is tool free.

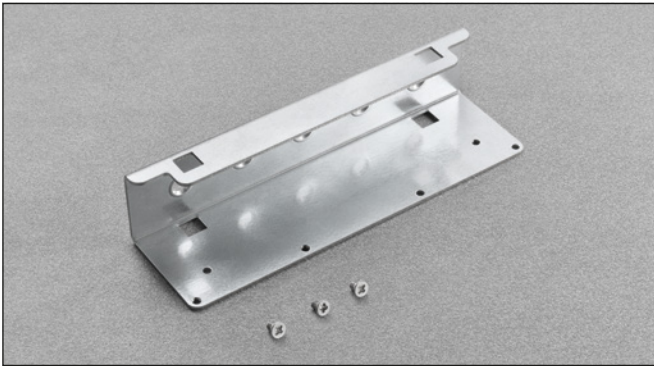


Unfasten the system from the cups.

Disconnecting the system from the cups.
This operation is tool free.



Wind - Optional carrier for top-hung doors



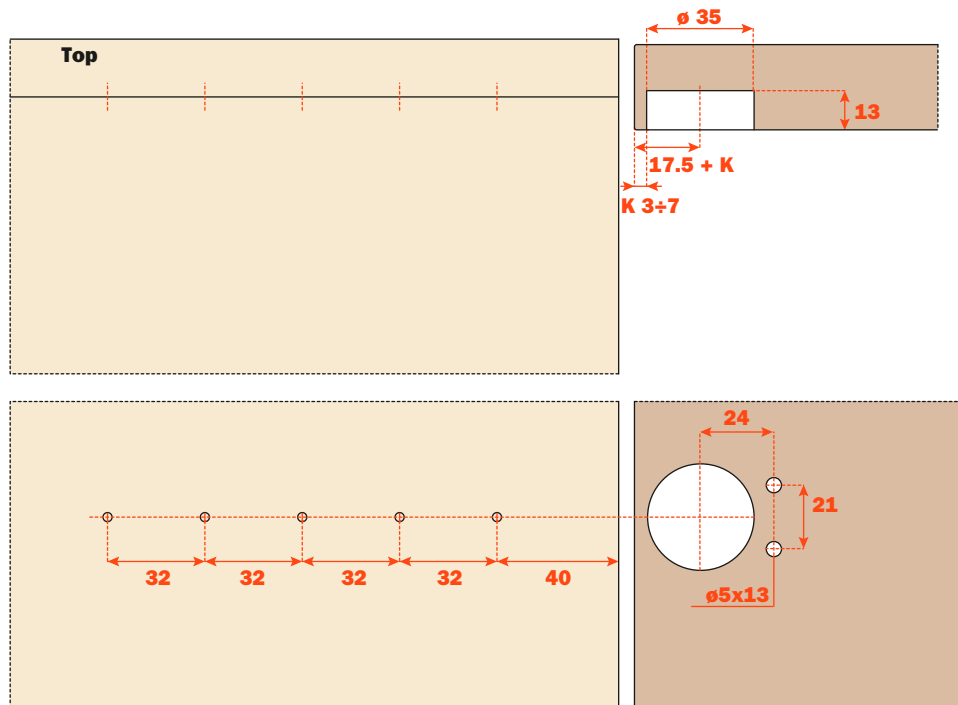
Technical information

Carrier to be screw-fixed to the top of the cabinet for use with:

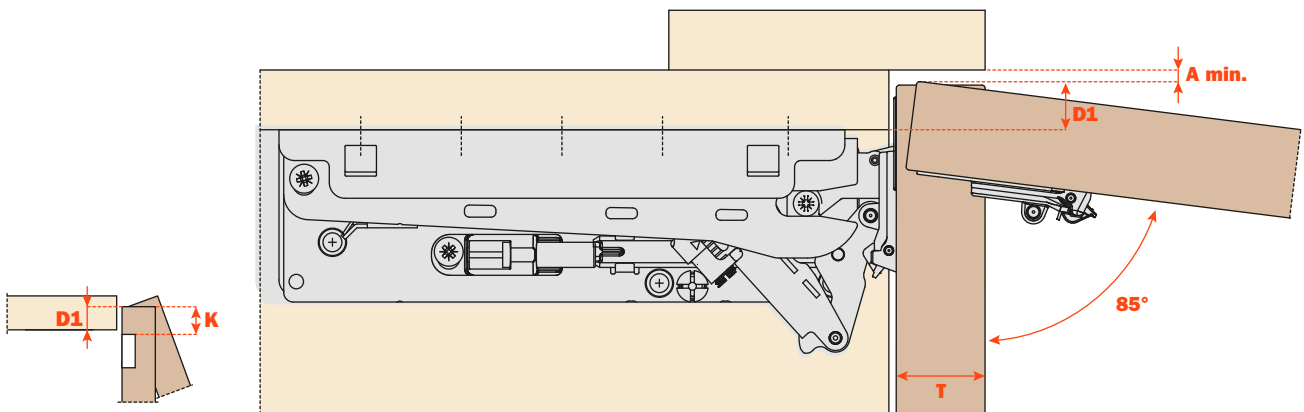
- corner cabinets
- doors of large weight and dimensions

We suggest to fix the carrier with wood screws 4x18.

Drilling patterns.



Space needed to open the door.

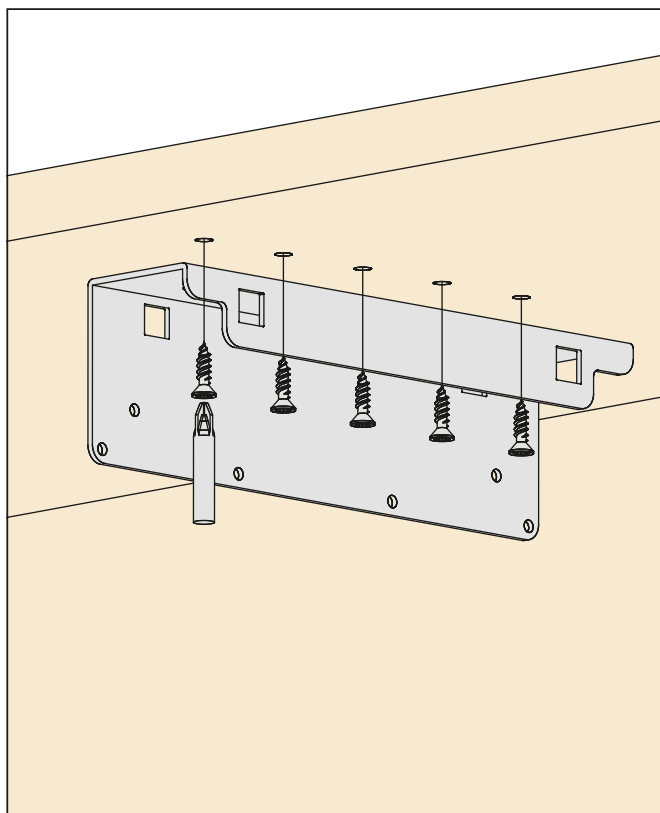


K	D1
3	= 13
4	= 14
5	= 15
6	= 16
7	= 17

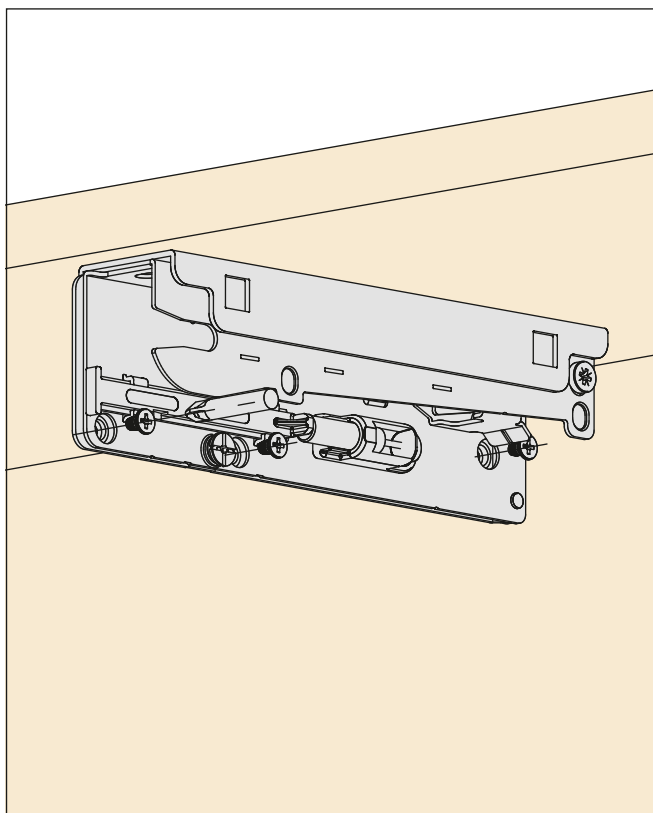
	T=	16	17	18	19	20	21	22	23	24	25	26	27	28
K=3	A = min	0	0.1	0.1	0.2	0.2	0.3	0.5	0.6	0.7	0.9	1.1	1.8	2.7
K=4	A = min	0	0.1	0.1	0.2	0.2	0.3	0.4	0.6	0.7	0.9	1.1	1.3	2.1
K=5	A = min	0	0.1	0.1	0.2	0.2	0.3	0.4	0.6	0.7	0.9	1.1	1.3	1.5
K=6	A = min	0	0.1	0.1	0.2	0.2	0.3	0.4	0.6	0.7	0.9	1.0	1.2	1.5
K=7	A = min	0	0.1	0.1	0.2	0.2	0.3	0.4	0.6	0.7	0.8	1.0	1.2	1.4

Assembly instructions for the carriers

Fixing the carriers to the top of the cabinet.

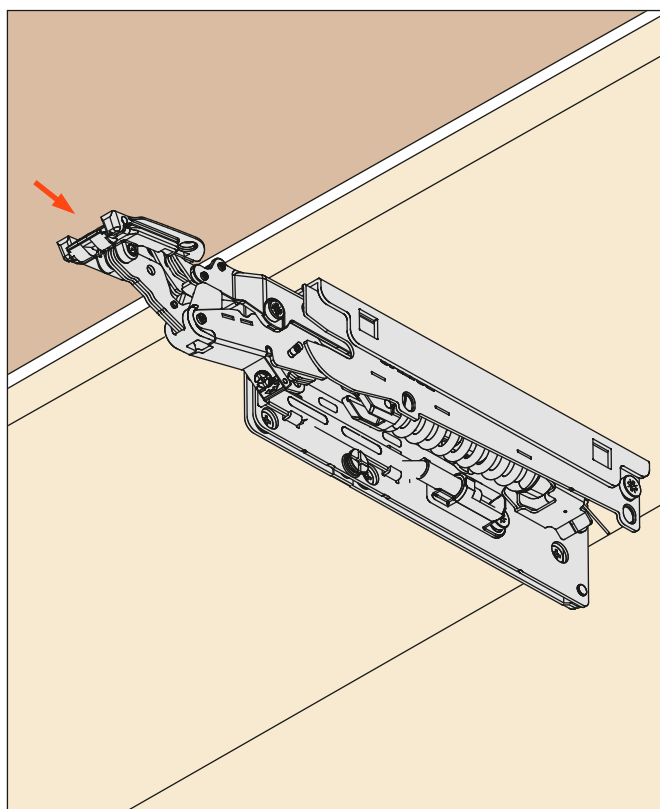


Fixing the plates to the carriers.

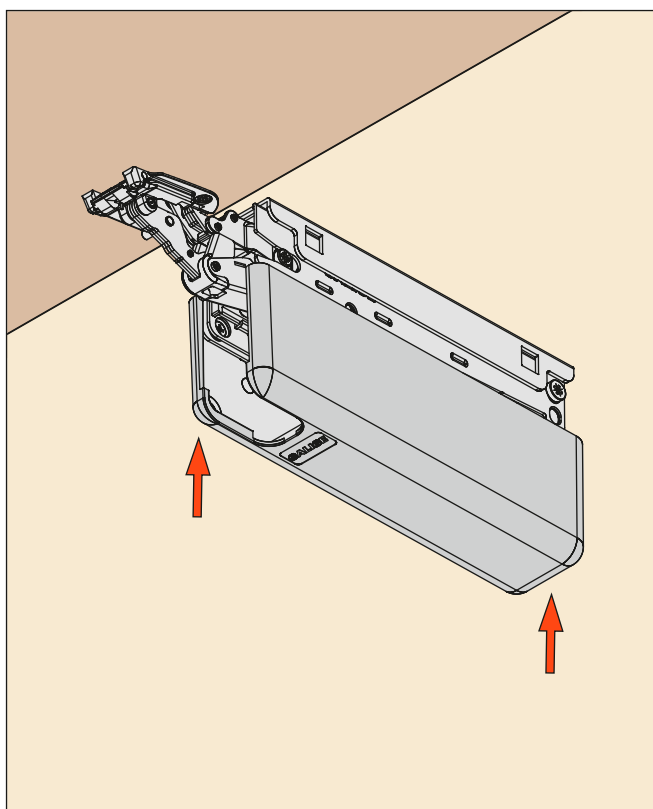


Installing the system to the plates.

Installing the system till the back fixing.
This operation is tool free.

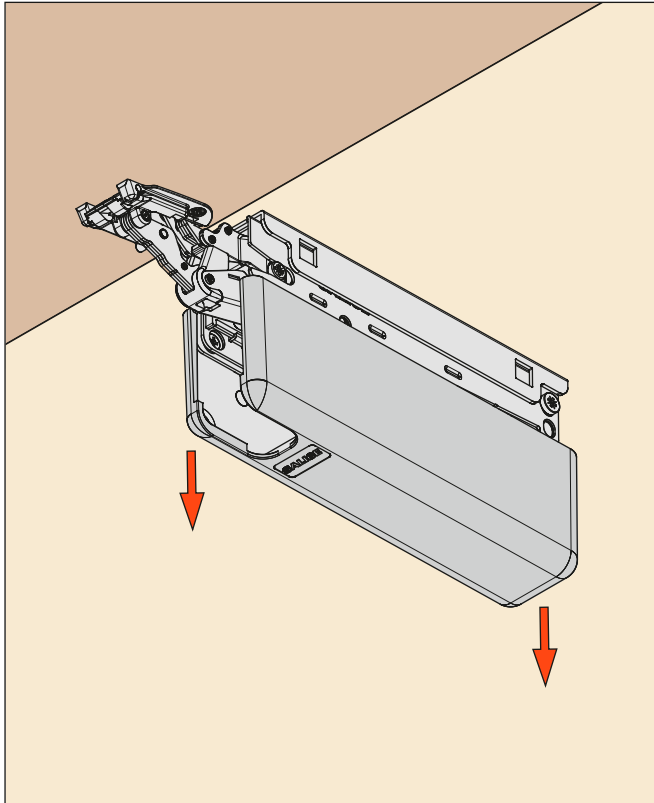


Installing the covers.



Wind - Disassembly instructions for the carriers

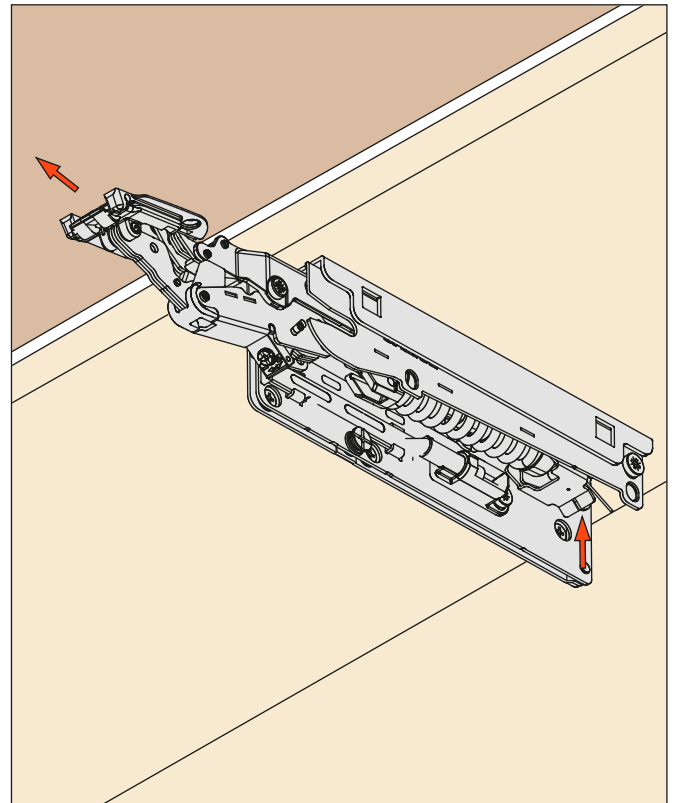
Removal of the covers.



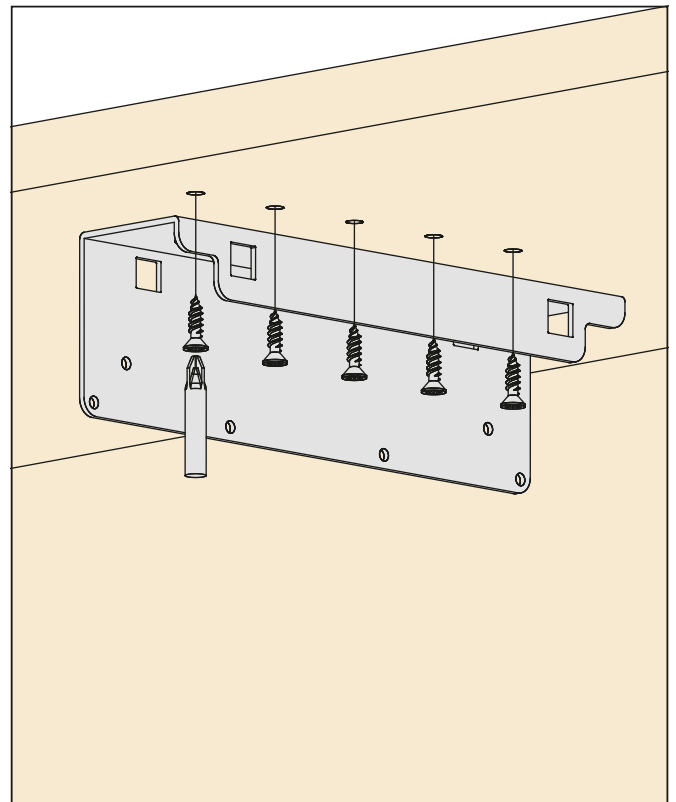
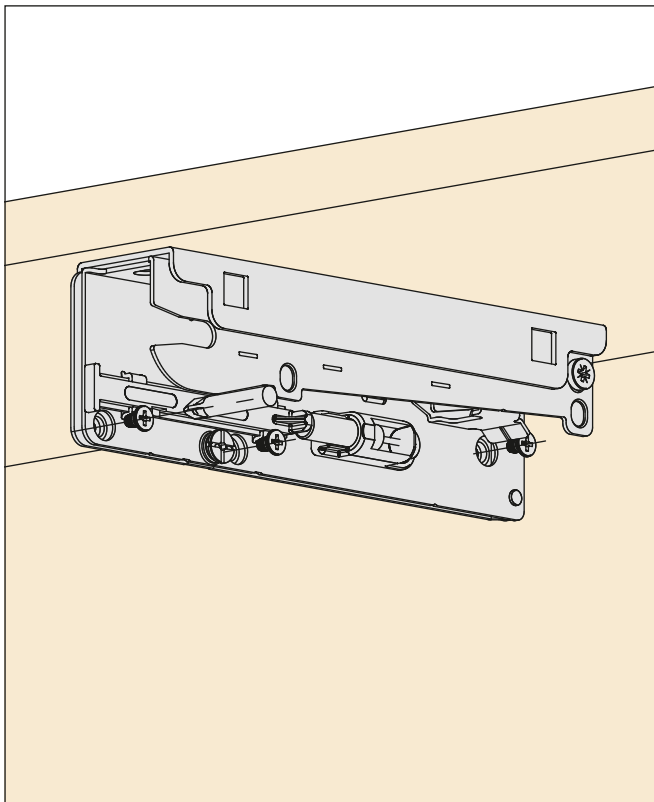
Unfasten the plates from the carriers.

Disassembly of the system.

Press the back lever and pull out the system.
This operation is tool free.

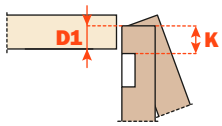
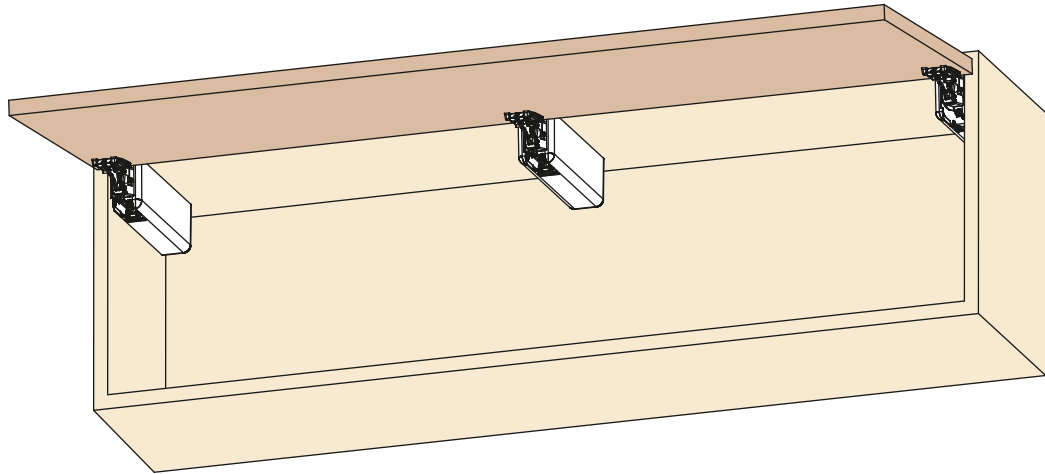


Unfasten the carriers.



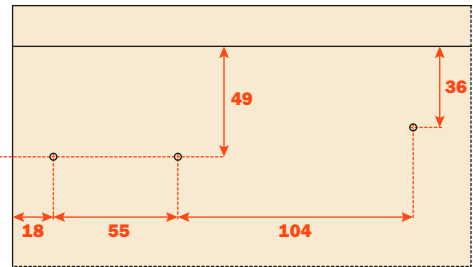
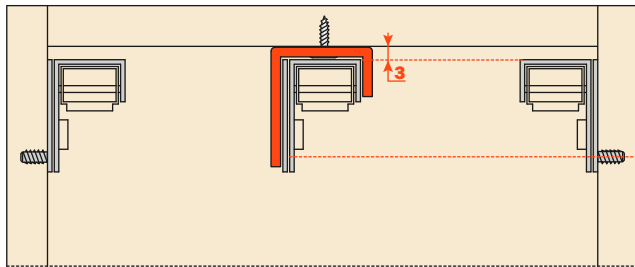
Examples of applications for top-hung doors using optional carrier

For cabinets that require a third system.

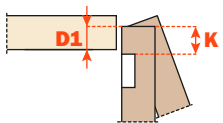
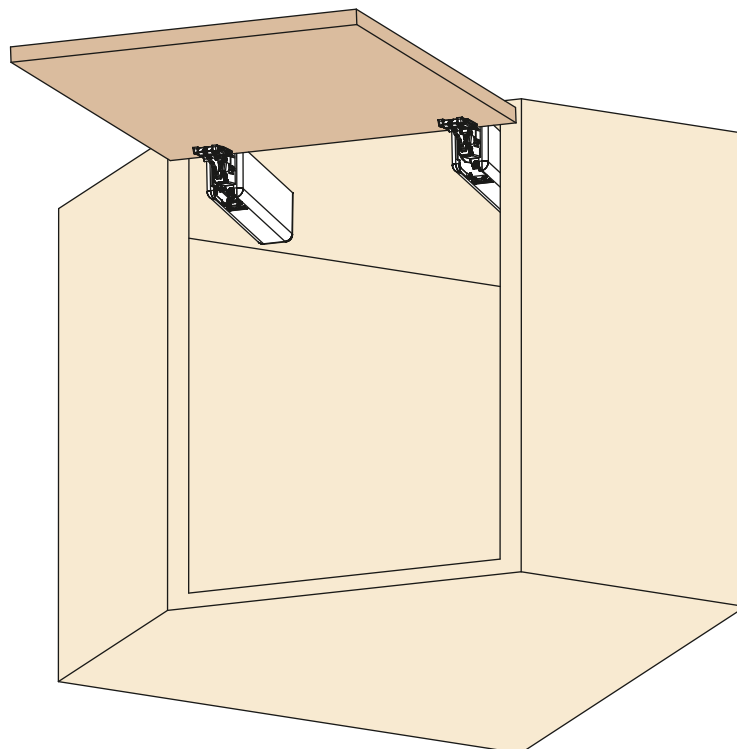


The carrier has a thickness of 3 mm.
The cabinet side drillings must be lowered accordingly.

K		D1
3	=	13
4	=	14
5	=	15
6	=	16
7	=	17



For corner cabinets.



K		D1
3	=	13
4	=	14
5	=	15
6	=	16
7	=	17

Wind - Colours of the cover for the systems**SRXA78A1SNXX_**

White

Cover cap: nickel-plated finish

**SRXA78AQSXXX_**

Glossy white

Cover cap: nickel-plated finish

**SRXA78AMSXXX_**

Grey

Cover cap: nickel-plated finish

**SRXA78AISXXX_**

Stainless steel

Cover cap: nickel-plated finish

**SRXA78A0SNXX_**

Satin metal black

Cover cap: titanium finish

**SSRXA78ANSXXX_**

Glossy metal black

Cover cap: titanium finish

**SRXA78ACSNXX_**

Champagne

Cover cap: nickel-plated finish



Colours of the cover for the carriers

SRUA78A1SNXXI

White



SRUA78AQSXXI

Glossy white



SRUA78AMSXXI

Grey



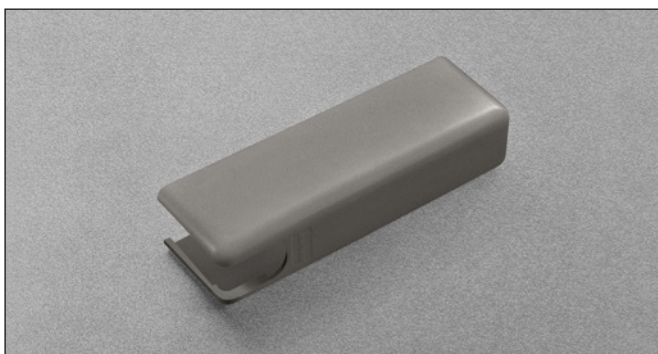
SRUA78AISXXI

Stainless steel



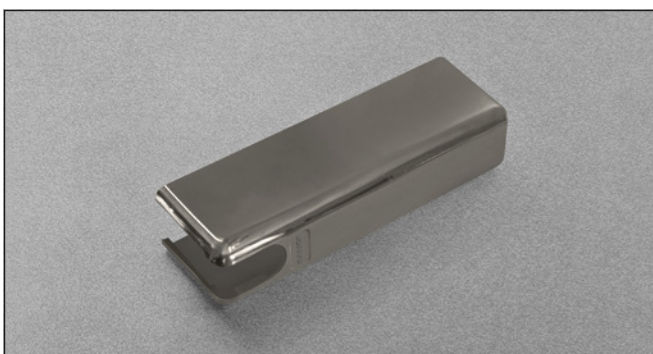
SRUA78A0SNXXI

Satin metal black



SRUA78ANSXXI

Glossy metal black

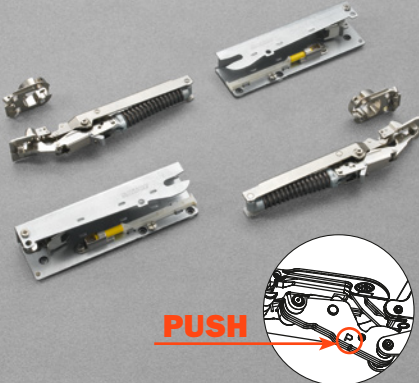
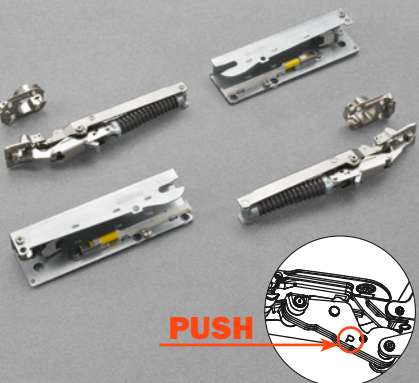



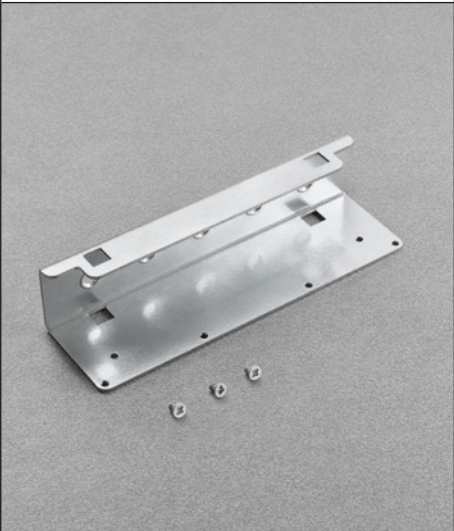
SRUA78ACSNXXI



Champagne

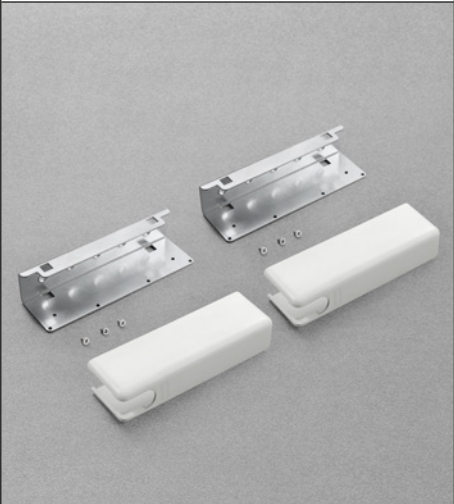



Wind - Packing

INDUSTRIAL PACKING	PART NUMBER	CARTON	PALLET
	<p>SOFT CLOSE FRAKINX SN9</p> <p>↑ SPRING STRENGTH</p>	<p>1 carton contains:</p> <ul style="list-style-type: none"> 18 cups • 9 systems for right side 9 systems for left side • 9 plates for right side 9 plates for left side • Fixing screws included 	<p>24 cartons</p>
	<p>PUSH OPENING FRAKINP SN9</p> <p>↑ SPRING STRENGTH</p>		
DOOR-SET PACKING	PART NUMBER	CARTON	PALLET
	<p>SOFT CLOSE FRAKFEX SN9</p> <p>↑ SPRING STRENGTH</p>	<p>1 carton contains:</p> <ul style="list-style-type: none"> 2 cups • 1 system for right side 1 system for left side • 1 plate for right side 1 plate for left side • Fixing screws and template for cabinet side drilling included 	<p>180 cartons</p>
	<p>PUSH OPENING FRAKFEP SN9</p> <p>↑ SPRING STRENGTH</p>		
COVER	PART NUMBER	CARTON	PALLET
	<p>INDUSTRIAL PACKING SRXA78A SNXXI</p> <p>↑ COLOUR OF THE COVER</p>	<p>1 carton contains:</p> <ul style="list-style-type: none"> 9 covers for right system • 9 covers for left system • cover caps included 	<p>24 cartons</p>
	<p>DOOR-SET PACKING SRXA78A SNXXF</p> <p>↑ COLOUR OF THE COVER</p>	<p>1 carton contains:</p> <ul style="list-style-type: none"> 1 cover for right system • 1 cover for left system • cover caps included 	<p>180 cartons</p>

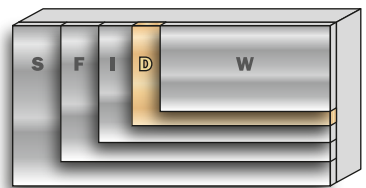
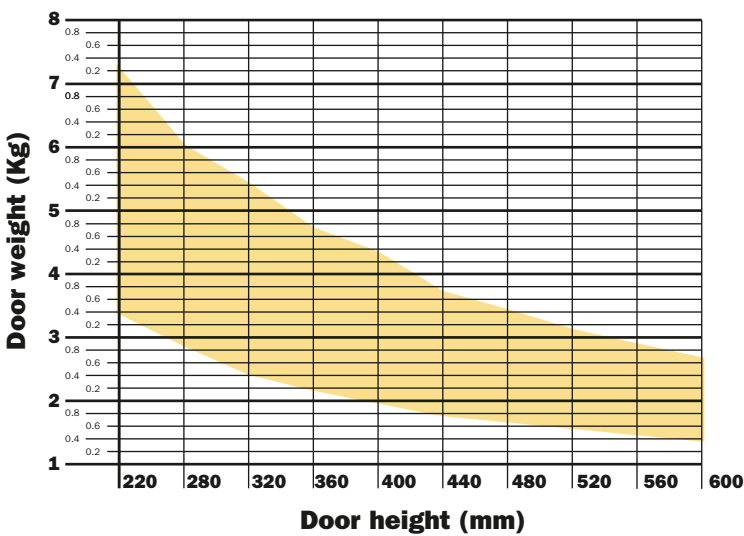
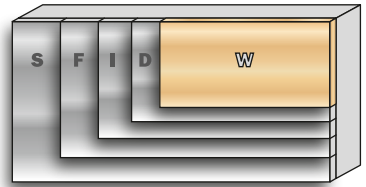
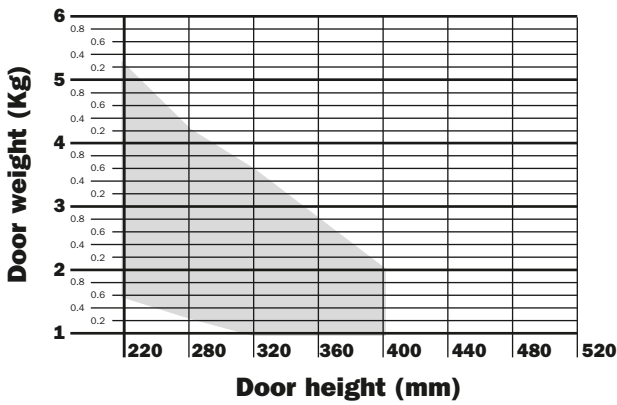
INDUSTRIAL PACKING CARRIER	PART NUMBER	CARTON	PALLET
	<p style="text-align: center;">FRAUINXXX5</p>	<p>1 carton contains:</p> <ul style="list-style-type: none"> 18 carriers • Screws to fix the plate to the carrier included 	<p>24 cartons</p>

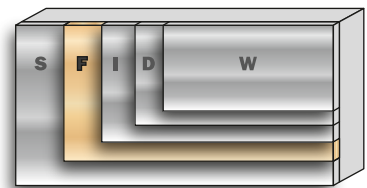
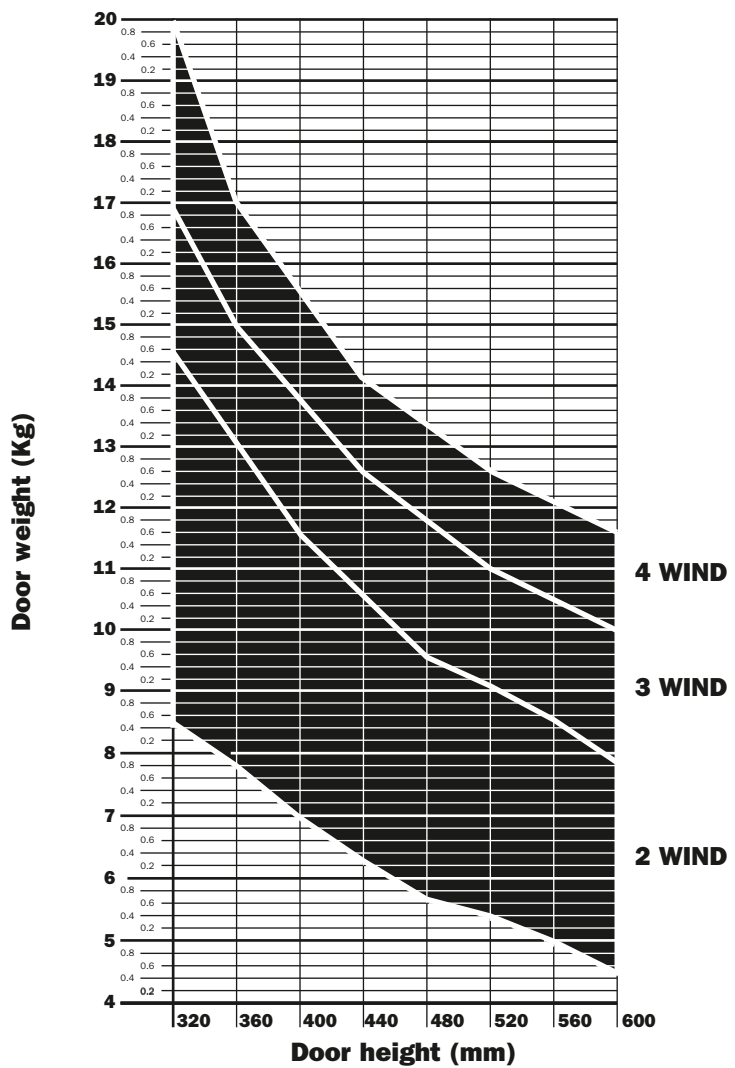
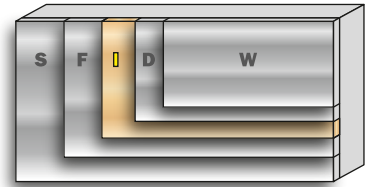
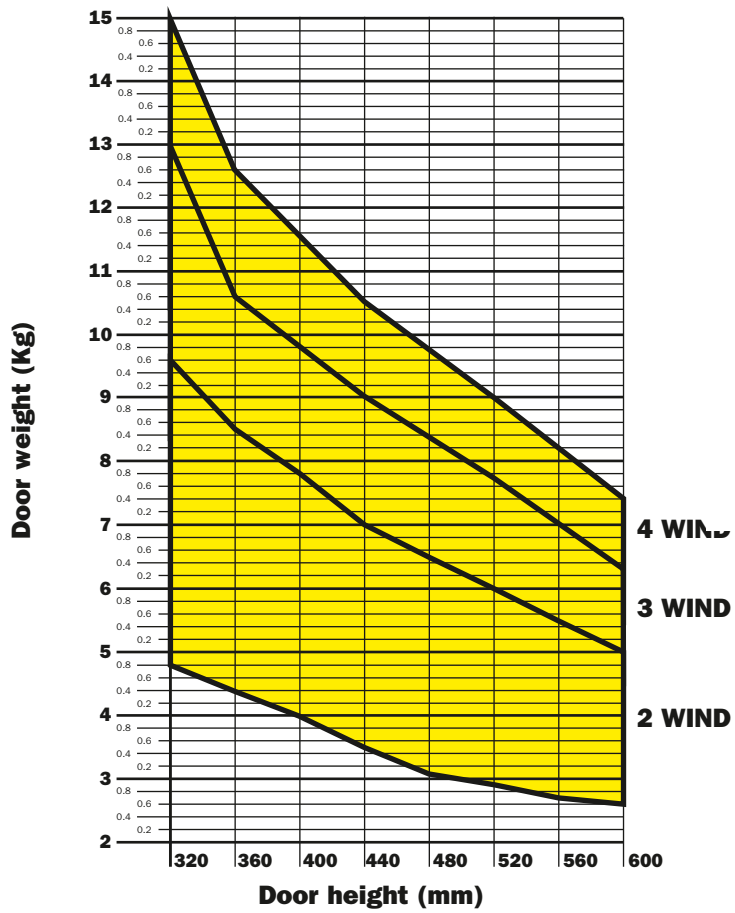
INDUSTRIAL PACKING COVER FOR THE CARRIER	PART NUMBER	CARTON	PALLET
	<p style="text-align: center;">SRUA78A_SNXXI</p> <p style="text-align: center;">COLOUR OF THE COVER </p>	<p>1 carton contains:</p> <p>18 covers for the carrier</p>	<p>24 cartons</p>

DOOR-SET PACKING CARRIER AND COVER	PART NUMBER	CARTON
	<p style="text-align: center;">FRAUFEXXS</p> <p style="text-align: center;">COLOUR OF THE COVER </p>	<p>1 carton contains:</p> <ul style="list-style-type: none"> 2 carriers • 2 covers for the carriers • Screws to fix the plate to the carriers included

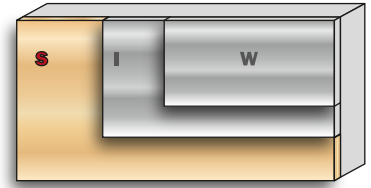
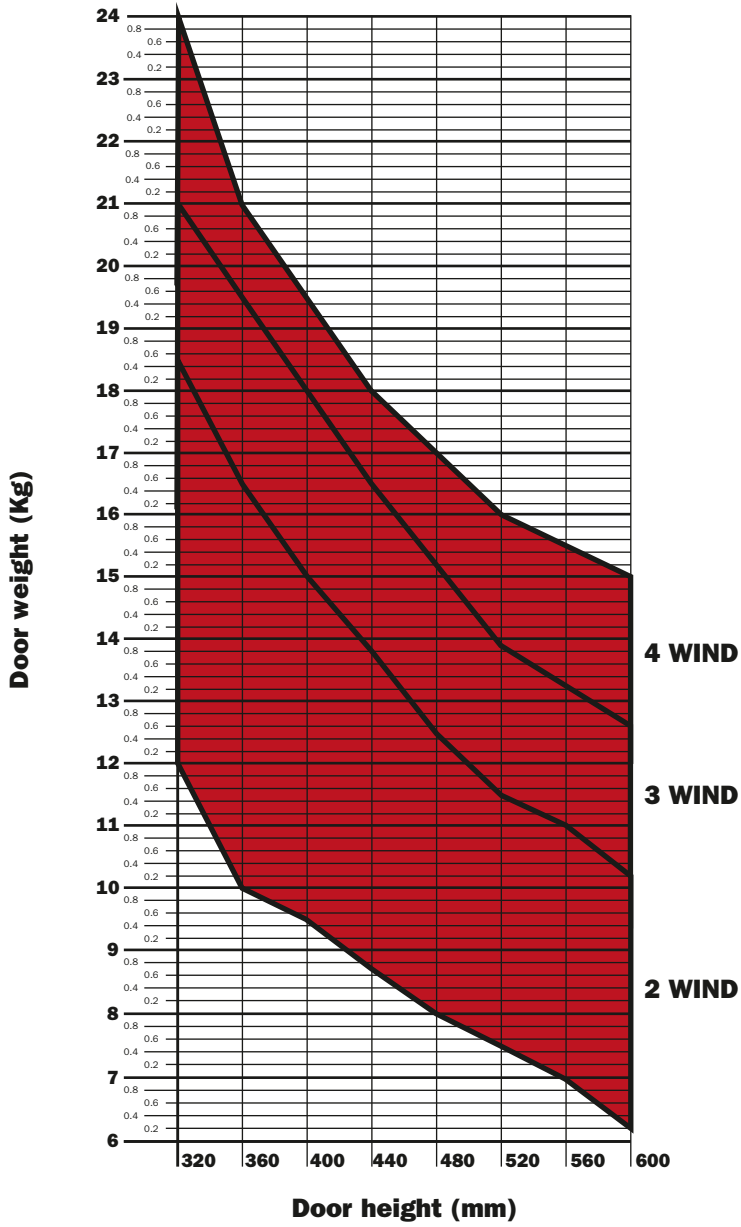
Wind - Charts

Charts to determine which system is to be used for a particular door size and weight, for use with a pair of Wind systems. For doors of large weight and dimensions, it is possible to use more than two systems on the same door. These systems can be fixed to intermediate sides or, if not possible, by using the optional carrier for the plate (page 8). In this case please carefully check the chart concerning the door overlay on top of the cabinet (D1). We recommend that all applications are verified by a practical trial. Our technical Assistance Service is at your disposal to recommend the best solution.





Wind - Charts





Magnetic Push

Magnetic Push - Recessed magnetic release devise and retaining catches

DPMSNB - beige



DPMSNG - grey



Release device.
ø 10 mm, 40 mm length.

Packing
Boxes 250 pcs.
Cartons 1.500 pcs.

DPASNB - beige



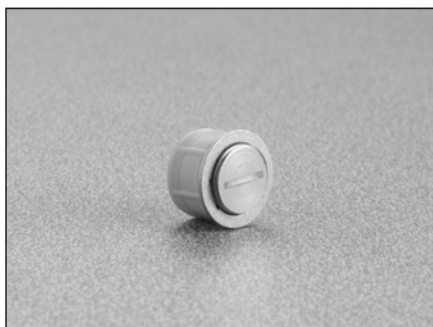
DPASNG - grey



Optional supplementary release device to increase the magnetic holding strength. It must always be used together with the DPM. The suggested position of the DPM is the point of pressure on the door. The DPA can be positioned at any point along the opening edge of the door.
ø 10 mm, 40 mm length.

Packing
Boxes 250 pcs.
Cartons 1.500 pcs.

DP39XXG



Adjustable magnetic retaining catch.
ø16.6 mm

Packing
Boxes 250 pcs.

DP28SN9



Retaining catch to be inserted.
ø 11.5 mm.

Packing
Boxes 250 pcs.

DP38XX91



Retaining catch with adhesive.
20x14 mm.

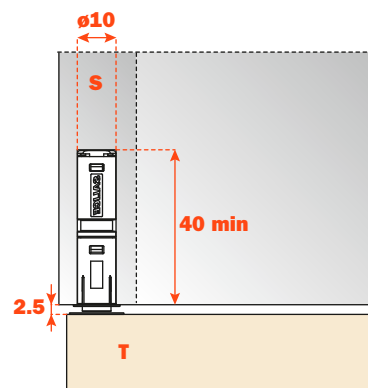
Packing
Boxes 250 pcs.

Release device application

Application of the release device to be recessed

Drill a hole \varnothing 10 mm and min. 40 mm depth in the top, the side or the base panel of the cabinet.

Insert the release device into the hole.

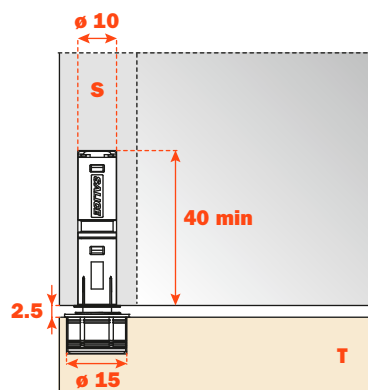


Inserted adjustable retaining catch.

The retaining catch DP39 is itself magnetic and together with the magnetism of the release device DPM considerably increase (30%) the holding strength of the door against the cabinet side, thus avoiding accidental openings.

For the installation it is necessary to drill a hole \varnothing 15 mm and 11 mm depth in the door.

Depth adjustment from -0.5 mm to +2.5 mm.



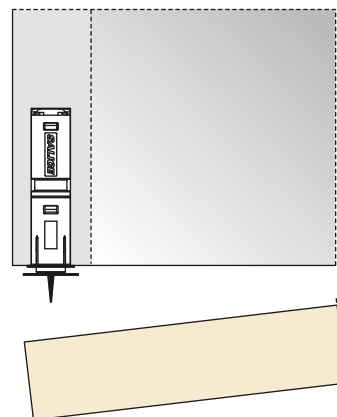
Pin- fix retaining catch

Apply the retaining catch to the magnetic release device.

Close the door.

The point of the retaining catch will show where to insert it.

Reopen the door and drive in the pin to fix in position.



Retaining catch with adhesive strip

Apply the retaining catch to the magnetic release device. Remove the protective strip from the adhesive. Close the door. In this way the retaining catch is positioned on the door. Reopen the door and apply a firm pressure to the retaining catch to ensure a correct installation.

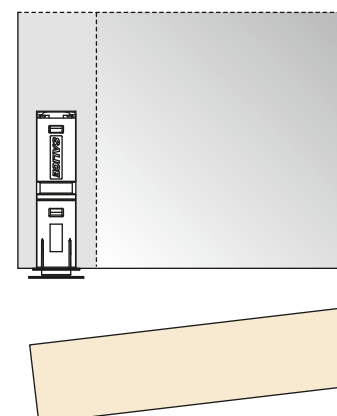
ATTENTION:

For a correct application and to ensure optimal endurance, we suggest these guidelines are followed:

- 1 - clean and degrease the door surface where the retaining catch is to be installed;
- 2 - remove the protective strip from the adhesive;
- 3 - place the retaining catch in position, in a place that is at room temperature $\geq 10^\circ$ and apply a firm pressure for 10-15 seconds.

After few seconds from the installation the retaining catch is suitable for the use.

After 24h the max. hold is attained.



ARTURO SALICE S.p.A.

VIA PROVINCIALE NOVEDRATESE, 10
22060 NOVEDRATE (COMO) ITALIA
TEL. 031 790424 - FAX 031 791508
info.salice@salice.com - www.salice.com

DEUTSCHE SALICE GMBH

RUDOLF DIESEL STR. 10
POSTFACH 1154
74382 NECKARWESTHEIM
TEL. 07233 9807-0
FAX. 07233 9807-16
info.salice@deutschesalice.de
www.salice.com

DEUTSCHE SALICE GMBH

VERKAUFSBÜRO NORD
RINGSTRASSE 36/A30 CENTER
32584 LÖHNE
TEL. 05731 15608-0
FAX. 05731 15608-10
vknord@deutschesalice.de
www.salice.com

SALICE UK LTD.

KINGFISHER WAY
HINCHINGBROOKE BUSINESS PARK
HUNTINGDON CAMBS PE 29 6FN
TEL. 01480 413831
FAX. 01480 451489
info.salice@saliceuk.co.uk
www.salice.com

SALICE FRANCE S.A.R.L.

ROUTE DE GOA ZAC LES 3 MOULINS
06600 ANTIBES
TEL. 0493 330069
FAX. 0493 330141
info.salice@salicefrance.com
www.salice.com

SALICE ESPAÑA, S.L.U.

CALLE COPÉRNICO, 11
POLÍGONO INDUSTRIAL COLL DE LA MANYA
08403 GRANOLLERS (BARCELONA)
TEL. 938 45 88 61
FAX 938 49 11 97
info.salice@salicespana.es
www.salice.com

SALICE PORTUGAL UNIP. LDA

VIA ROTA DOS MÓVEIS I n.399
4585-325 GANDRA-PAREDES (DISTRITO PORTO)
TEL. 00351 224 154 221
info@saliceportugal.pt
www.salice.com

SALICE CHINA (SHANGHAI) CO. LTD.

1st FLOOR, B1 BLDG 928 MINGZHU ROAD
XUJING, QINGPU DISTRICT
SHANGHAI 201702 - CHINA
TEL. 021 3988 9880
FAX. 021 3988 9882
info.salice@salicechina.com
www.salicechina.com

SALICE INDIA PVT. LTD.

1001 & 1002, 10TH FLOOR,
CENTRUM, PLOT NO. C-3,
OPP. WAGLE PRABHAG SAMITI OFFICE,
MIDC AREA, WAGLE INDUSTRIAL ESTATE,
THANE - 400604, MAHARASHTRA
TEL. 022 20812050
info@saliceindia.com
www.salice.com

SALICE CANADA INC.

3500 RIDGEWAY DRIVE,
UNIT#1
MISSISSAUGA, ONTARIO, L5L 0B4
TEL. 905 8208787
FAX. 905 8207226
info.salice@salicecanada.com
www.salicecanada.com

SALICE AMERICA INC.

2123 CROWN CENTRE DRIVE
CHARLOTTE NC. 28227
TEL. 704 8417810
FAX. 704 8417808
info.salice@saliceamerica.com
www.saliceamerica.com



Digital contents