



**Lapis**

***SALICE***



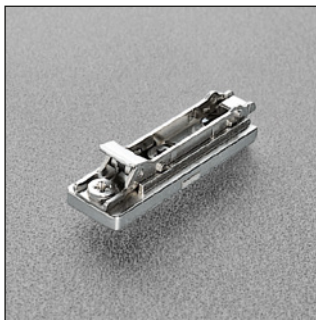
## Index



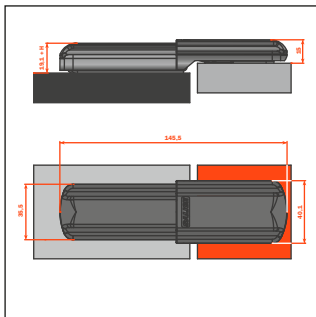
Lapis • Silentia+ • Series 200 for thicker doors • 94° opening page 4

Lapis • Silentia+ • Series 700 • 110° opening page 6

Lapis with Push system • 94° opening page 8



Plates page 10



Hinge overall dimensions and size page 11



Assembly and disassembly instructions page 12



Finishes page 15

## Lapis • Silentia+ • Series 200 for thicker doors • 94° opening



### Technical information

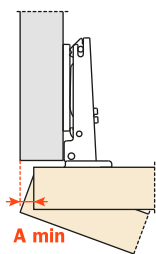
Hinges with adjustable integrated soft-close mechanism operated by twin silicone-oil dampers housed in the hinge cup. The decelerating effect is adjusted by using a simple switch.

Hinges for min. 18 mm thick doors.  
15.5 mm deep cup.

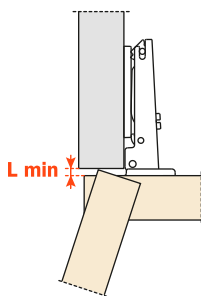
94° opening.  
Possible drilling distance on the door (K): from 3 to 9 mm.

Adaptable only with longitudinal Domi snap-on mounting plates (BAP).

### Space needed to open the door



	T=	19	20	21	22	23	24	25	26	27	28	29	30	31	32	33	34	35
K=3	<b>A=</b>	0.1	0.2	0.3	0.4	0.5	0.7	0.8	1.0	1.6	2.6	3.5	4.5	5.4	6.4	7.4	8.3	9.3
K=4	<b>A=</b>	0.1	0.2	0.3	0.4	0.5	0.7	0.8	1.0	1.2	1.9	2.8	3.8	4.7	5.7	6.6	7.6	8.6
K=5	<b>A=</b>	0.1	0.2	0.3	0.4	0.5	0.7	0.8	1.0	1.2	1.4	2.2	3.1	4.1	5.0	5.9	6.9	7.8
K=6	<b>A=</b>	0.1	0.2	0.3	0.4	0.5	0.6	0.8	1.0	1.2	1.4	1.7	2.6	3.5	4.4	5.3	6.2	7.2
K=7	<b>A=</b>	0.1	0.2	0.3	0.4	0.5	0.6	0.8	1.0	1.1	1.3	1.6	2.1	3.0	3.8	4.7	5.6	6.5
K=8	<b>A=</b>	0.1	0.2	0.3	0.4	0.5	0.6	0.8	0.9	1.1	1.3	1.6	1.8	2.5	3.3	4.2	5.1	6.0
k=9	<b>A=</b>	0.1	0.2	0.3	0.4	0.5	0.6	0.8	0.9	1.1	1.3	1.5	1.8	2.1	2.9	3.7	4.6	5.4



K	3	4	5	6	7	8	9
<b>L=</b>	0.0	0.0	0.0	0.0	0.0	0.3	1.3

The above values are calculated on the assumption that the doors have square edges. They are reduced if the doors have radiussed edges.

### Projection of the door

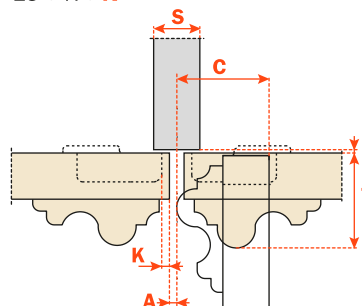
Projection of the door from the cabinet side at the max. opening. The figures are based on a straight arm hinge, H=0 mm thickness of mounting plate and K value = 3 mm.



### “C” value

With this formula you can obtain the max. thickness of the moulded door that can be opened without touching adjacent carcass sides, doors or walls, whilst bearing in mind the above L · K · T values.

$$C = 23 + K + A$$

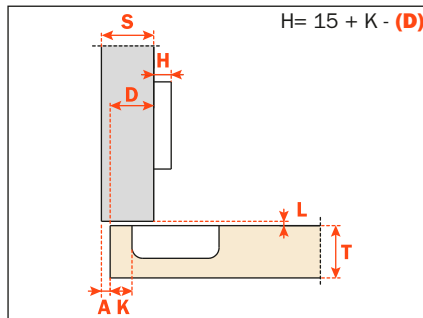


## Packing

Boxes 300 pcs. • Pallets 7.200 pcs.

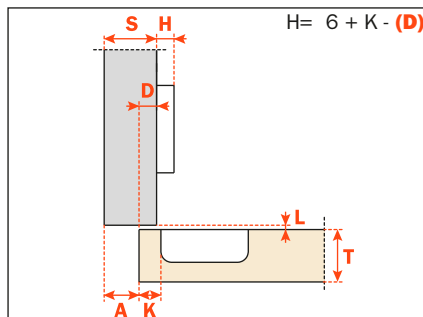
Use these formulas to determine the type of hinge arm, the drilling distance “K” and the height of the mounting plate “H” which is necessary to solve each application problem.

Arm 0

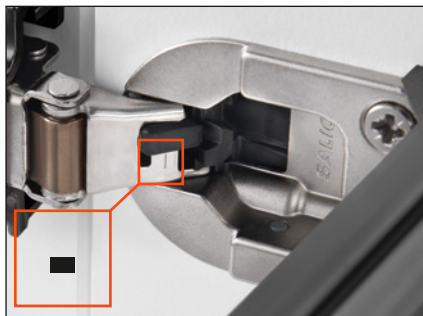
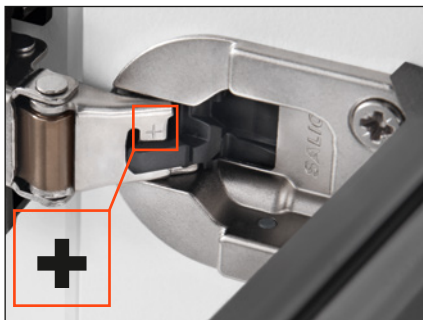
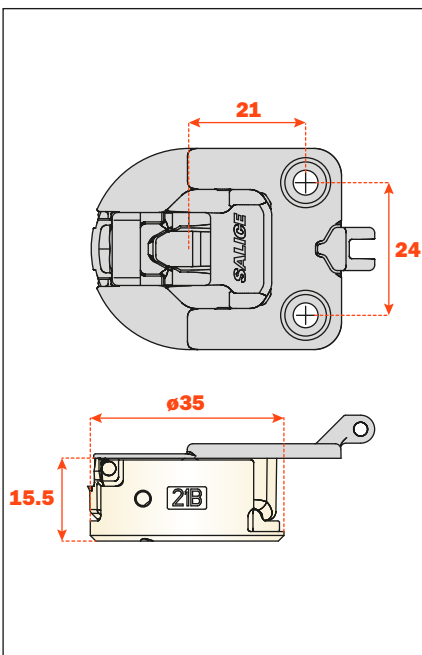


**C21BAE9**

Arm 9



**C21BGE9**



## Lapis • Silentia+ • Series 700 • 110° opening



### Technical information

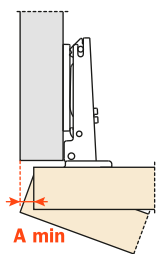
Hinges with adjustable integrated soft-close mechanism operated by twin silicone-oil dampers housed in the hinge cup. The decelerating effect is adjusted by using a simple switch.

Hinges for min. 16 mm thick doors.  
13.5 mm deep cup.

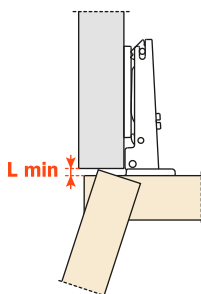
110° opening.  
Possible drilling distance on the door (K): from 3 to 6 mm.

Adaptable only with longitudinal Domi snap-on mounting plates (BAP).

### Space needed to open the door



T=	16	17	18	19	20	21	22	23	24	25	26
K=3 <b>A=</b>	0.7	0.9	1.1	1.3	1.6	1.9	2.2	2.6	3.2	4.4	5.7
K=4 <b>A=</b>	0.6	0.8	1.1	1.3	1.6	1.8	2.2	2.5	2.9	3.4	4.7
K=5 <b>A=</b>	0.6	0.8	1.0	1.3	1.5	1.8	2.1	2.4	2.8	3.2	3.7
K=6 <b>A=</b>	0.6	0.8	1.0	1.2	1.5	1.8	2.1	2.4	2.7	3.1	3.6



T=	16	17	18	19	20	21	22	23	24	25	26
K=3 <b>L=</b>	0.0	0.0	0.0	0.0	0.0	0.0	0.0	0.2	0.4	0.6	0.9
K=4 <b>L=</b>	0.0	0.0	0.0	0.3	0.5	0.7	0.9	1.1	1.4	1.6	1.8
K=5 <b>L=</b>	0.6	0.8	1.0	1.2	1.5	1.7	1.9	2.1	2.4	2.6	2.8
K=6 <b>L=</b>	1.5	1.8	2.0	2.2	2.4	2.7	2.9	3.1	3.3	3.6	3.8

The above values are calculated on the assumption that the doors have square edges. They are reduced if the doors have radiussed edges.

### Projection of the door

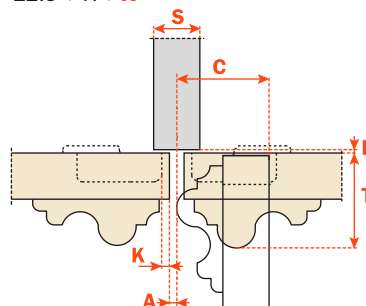
Projection of the door from the cabinet side at the max. opening. The figures are based on a straight arm hinge, H=0 mm thickness of mounting plate and K value = 3 mm.



### “C” value

With this formula you can obtain the max. thickness of the moulded door that can be opened without touching adjacent carcass sides, doors or walls, whilst bearing in mind the above L · K · T values.

$$C = 22.5 + K + A$$

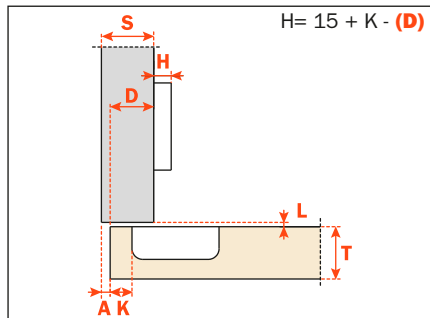


## Packing

Boxes 300 pcs. • Pallets 7.200 pcs.

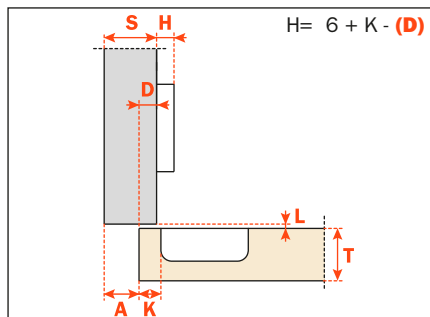
Use these formulas to determine the type of hinge arm, the drilling distance "K" and the height of the mounting plate "H" which is necessary to solve each application problem.

Arm 0

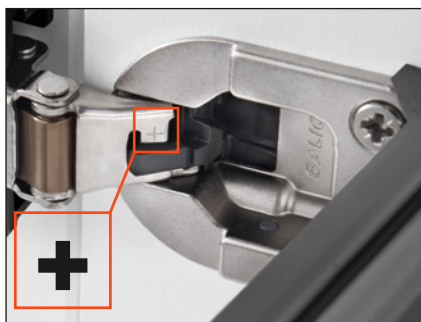
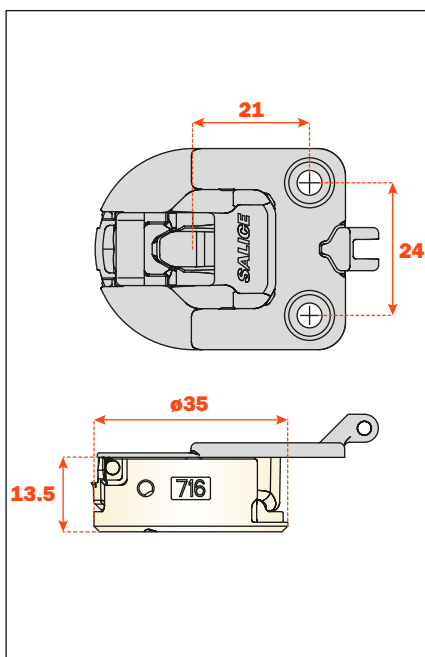


**C716AE9**

Arm 9



**C716GE9**



## Lapis • Push • Series 200 for thicker doors • 94° opening



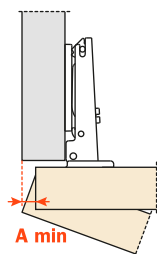
### Technical information

Push hinges are equipped with a special spring that acts to open the door independently of the release device.

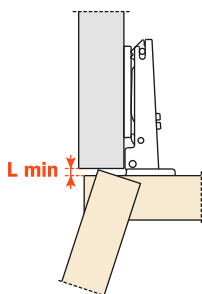
For thick doors up to 35 mm, with special profiles.  
11 mm deep metal cup.  
94° opening.  
Possible drilling distance on the door (K): from 3 to 9 mm.

Adaptable only with longitudinal Domi snap-on mounting plates (BAP).

### Space needed to open the door



T=	19	20	21	22	23	24	25	26	27	28	29	30	31	32	33	34	35
K=3 <b>A=</b>	0.1	0.2	0.3	0.4	0.5	0.7	0.8	1.0	1.6	2.6	3.5	4.5	5.4	6.4	7.4	8.3	9.3
K=4 <b>A=</b>	0.1	0.2	0.3	0.4	0.5	0.7	0.8	1.0	1.2	1.9	2.8	3.8	4.7	5.7	6.6	7.6	8.6
K=5 <b>A=</b>	0.1	0.2	0.3	0.4	0.5	0.7	0.8	1.0	1.2	1.4	2.2	3.1	4.1	5.0	5.9	6.9	7.8
K=6 <b>A=</b>	0.1	0.2	0.3	0.4	0.5	0.6	0.8	1.0	1.2	1.4	1.7	2.6	3.5	4.4	5.3	6.2	7.2
K=7 <b>A=</b>	0.1	0.2	0.3	0.4	0.5	0.6	0.8	1.0	1.1	1.3	1.6	2.1	3.0	3.8	4.7	5.6	6.5
K=8 <b>A=</b>	0.1	0.2	0.3	0.4	0.5	0.6	0.8	0.9	1.1	1.3	1.6	1.8	2.5	3.3	4.2	5.1	6.0
K=9 <b>A=</b>	0.1	0.2	0.3	0.4	0.5	0.6	0.8	0.9	1.1	1.3	1.5	1.8	2.1	2.9	3.7	4.6	5.4



K=	3	4	5	6	7	8	9
<b>L=</b>	0.0	0.0	0.0	0.0	0.0	0.3	1.3

The above values are calculated on the assumption that the doors have square edges. They are reduced if the doors have radiused edges.

### Projection of the door

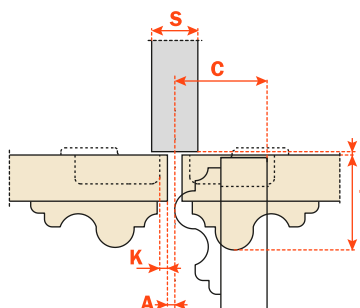
Projection of the door from the cabinet side at the max. opening. The figures are based on a straight arm hinge, H=0 mm thickness of mounting plate and K value = 3 mm.



### “C” value

With this formula you can obtain the max. thickness of the moulded door that can be opened without touching adjacent carcass sides, doors or walls, whilst bearing in mind the above L·K·T values.

$$C = 23 + K + A$$

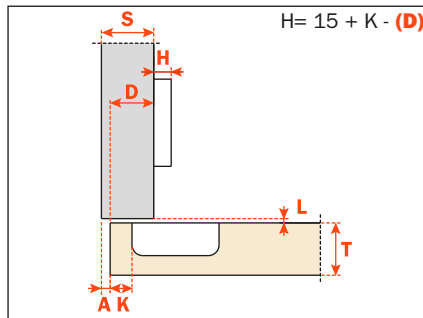
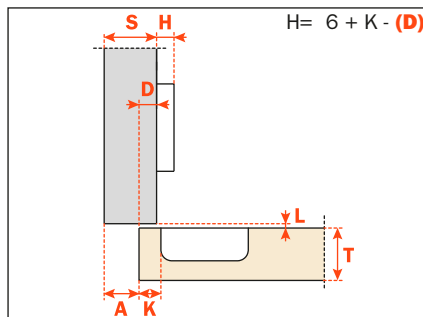
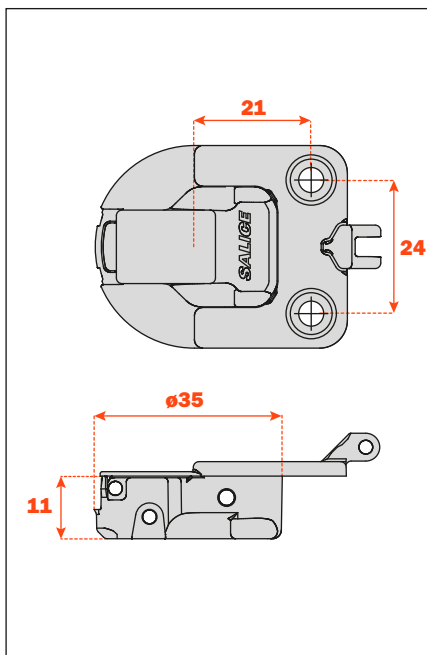




**Packing**

Boxes 300 pcs. • Pallets 7.200 pcs.

Use these formulas to determine the type of hinge arm, the drilling distance “K” and the height of the mounting plate “H” which is necessary to solve each application problem.

**Arm 0**

**C21VA99**
**Arm 9**

**C21VG99**


For the complete range of release devices and retaining catches consult Salice general catalogue.

**Lapis • Domi snap-on mounting plates**

**Packing**

Boxes 300 pcs. • Pallets 7.200 pcs.

- 21+32 mm drilling.
- Depth and height adjustment by cam.

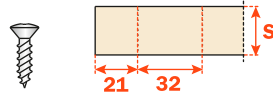
**BAP3R**



Die-cast mounting plates.  
Fixing: wood screw.

B 3.5 DIN 7983.

H= 0 1 2 3 4 5 6

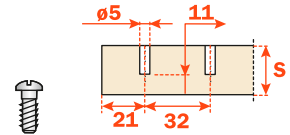


**BAPGR**



Die-cast mounting plates.  
Fixing: Euro screw.  
Drilling  $\varnothing 5 \times 11$ .

H= 0 1 2 3 4 5 6

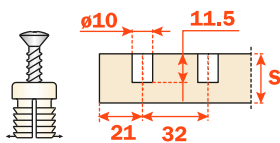


**BAPMR**

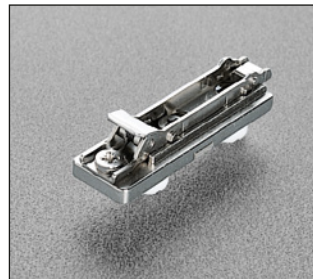


Die-cast mounting plates.  
Fixing: expanding dowel.  
Drilling  $\varnothing 10 \times 11.5$  mm.

H= 0 1 2 3 4 5 6

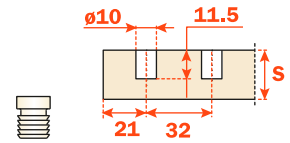


**BAP7R**

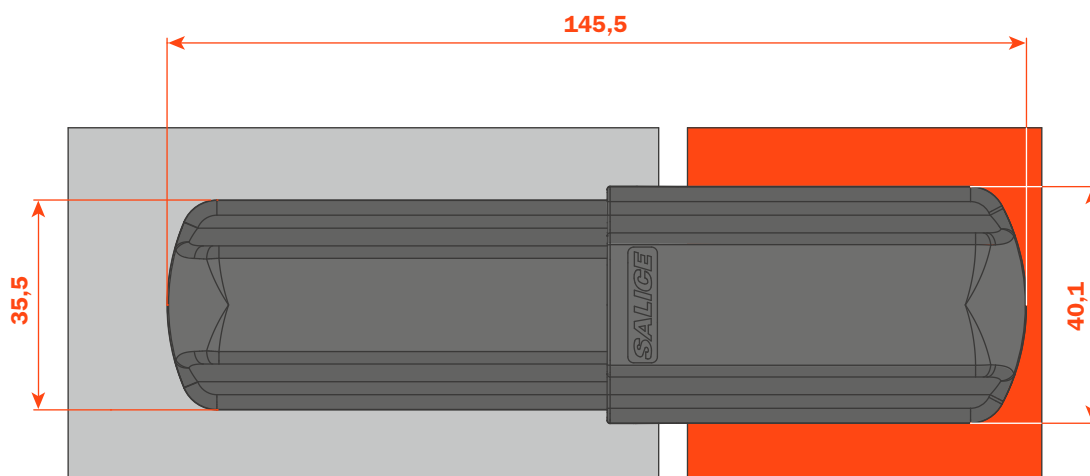


Die-cast mounting plates.  
Fixing: knock-in dowel.  
Drilling  $\varnothing 10 \times 11.5$  mm.

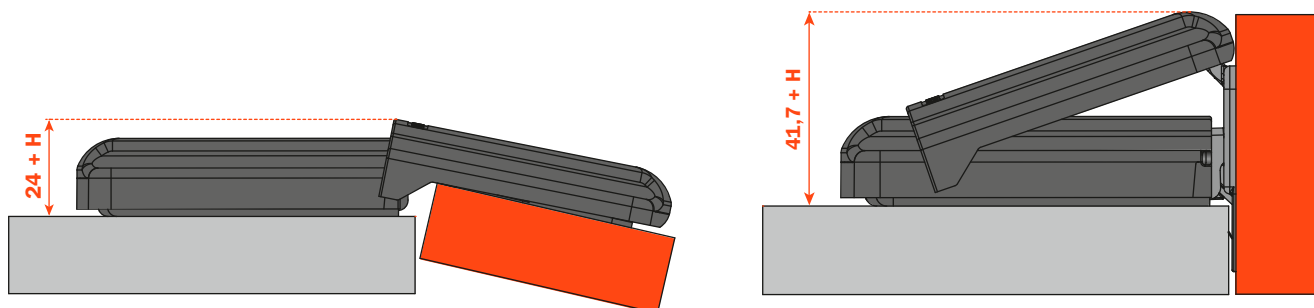
H= 0 1 2 3 4 5 6



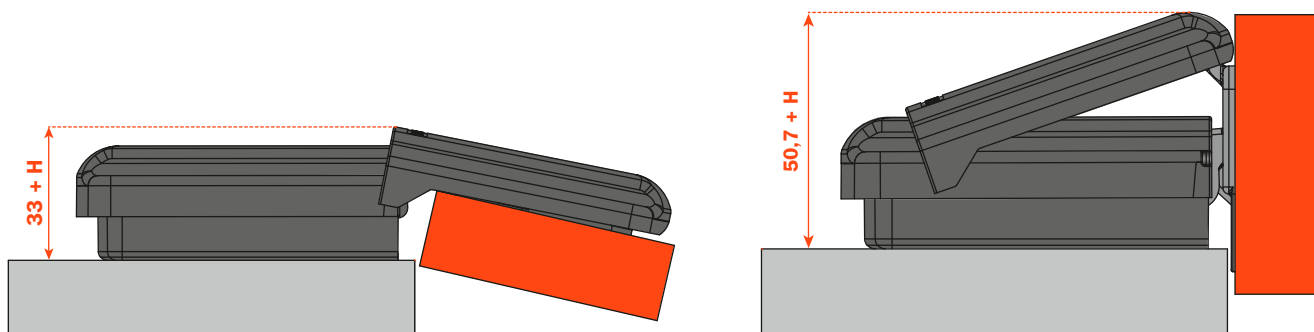
## Technical information • overall dimensions



### Lapis hinge • 0 arm • 0 mounting plate



### Lapis hinge • 9 arm • 0 mounting plate



**Lapis • Assembly instructions**

After fixing the mounting plate, attach the skirt.

Attached skirt.



Clip the hinge onto the mounting plate.

**ATTACHMENT OF THE HINGE ARM COVER**



Clip the cover onto the hinge arm.

Press to clip the cover.



## Assembly instructions

### ATTACHMENT OF THE DOOR SIDE COVER

Lift the carrier.

Clip the cover onto the carrier.



Half-close the door to ensure that the covers are engaged correctly.



**Lapis • Disassembly instructions**

Half-close the door and lift the cover.

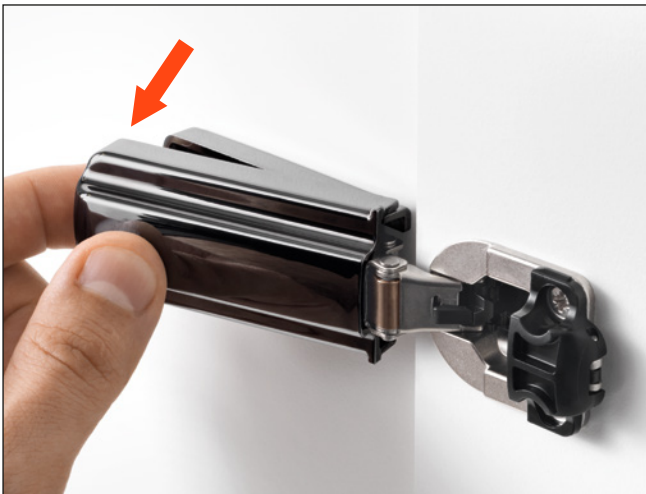


Remove the cabinet side cover.

Open the door and push the cover firmly in the direction indicated.



Unclip the hinge from the mounting plate.



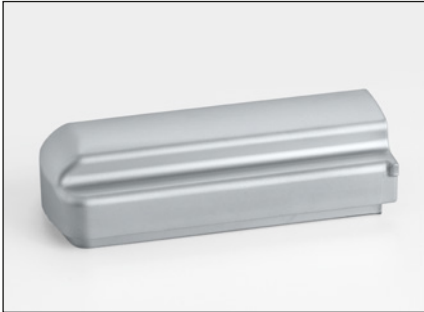
Remove the skirt.



## Finishes

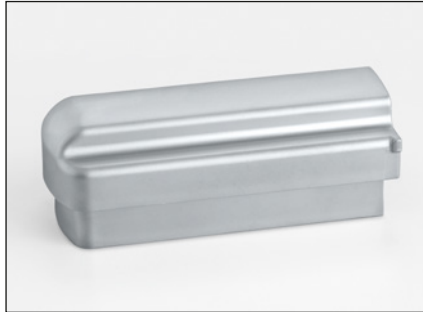
### **P7A0A09** **SATIN CHROME**

Lapis cabinet side • Arm 0



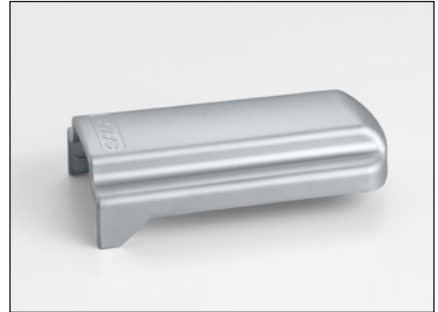
### **P7A9A09** **SATIN CHROME**

Lapis cabinet side • Arm 9



### **P7SXA09SN** **SATIN CHROME**

Lapis door side



### **P7A0A10** **SATIN METAL BLACK**

Lapis cabinet side • Arm 0



### **P7A9A10** **SATIN METAL BLACK**

Lapis cabinet side • Arm 9



### **P7SXA10SN** **SATIN METAL BLACK**

Lapis door side



### **P7A0A1W** **SATIN GOLD**

Lapis cabinet side • Arm 0



### **P7A9A1W** **SATIN GOLD**

Lapis cabinet side • Arm 9



### **P7SXA1WSN** **SATIN GOLD**

Lapis door side



### **P7A0A0C** **CHAMPAGNE**

Lapis cabinet side • Arm 0



### **P7A9A0C** **CHAMPAGNE**

Lapis cabinet side • Arm 9



### **P7SXA0CSN** **CHAMPAGNE**

Lapis door side

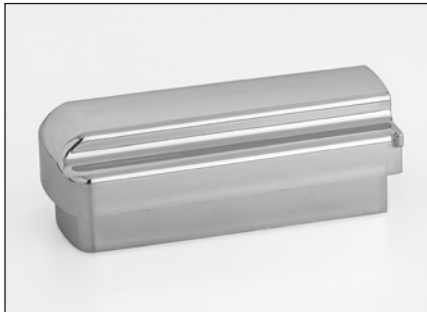


**Lapis • Finishes****P7A0A06  
GLOSSY CHROME**

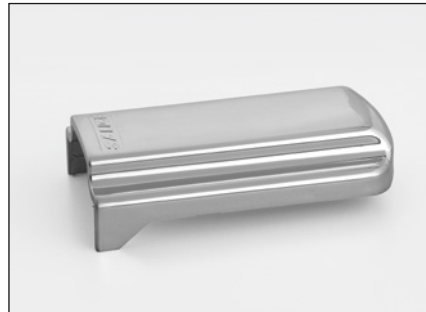
Lapis cabinet side • Arm 0

**P7A9A06  
GLOSSY CHROME**

Lapis cabinet side • Arm 9

**P7SXA06SN  
GLOSSY CHROME**

Lapis door side

**P7A0A0N  
GLOSSY METAL BLACK**

Lapis cabinet side • Arm 0

**P7A9A0N  
GLOSSY METAL BLACK**

Lapis cabinet side • Arm 9

**P7SXA0NSN  
GLOSSY METAL BLACK**

Lapis door side

**P7A0A0I  
STAINLESS STEEL**

Lapis cabinet side • Arm 0

**P7A9A0I  
STAINLESS STEEL**

Lapis cabinet side • Arm 9

**P7SXA0ISN  
STAINLESS STEEL**

Lapis door side

**P7A0A05  
GRAPHITE**

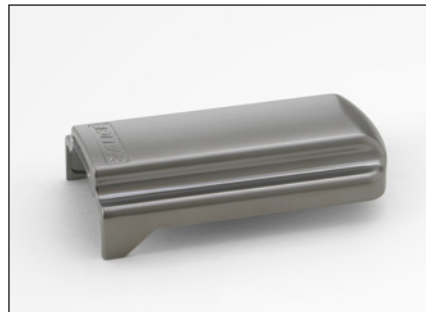
Lapis cabinet side • Arm 0

**P7A9A05  
GRAPHITE**

Lapis cabinet side • Arm 9

**P7SXA05SN  
GRAPHITE**

Lapis door side





**P7A0A08**  
**GLOSSY GOLD**

Lapis cabinet side • Arm 0



**P7A9A08**  
**GLOSSY GOLD**

Lapis cabinet side • Arm 9



**P7SXA08SN**  
**GLOSSY GOLD**

Lapis door side



**P7A0A07**  
**OLD BRASS**

Lapis cabinet side • Arm 0



**P7A9A07**  
**OLD BRASS**

Lapis cabinet side • Arm 9



**P7SXA07SN**  
**OLD BRASS**

Lapis door side



**P7A0AA3**  
**BLACK**

Lapis cabinet side • Arm 0



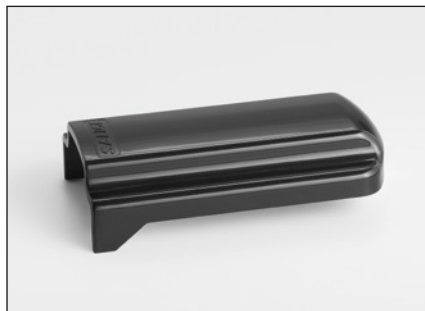
**P7A9AA3**  
**BLACK**

Lapis cabinet side • Arm 9



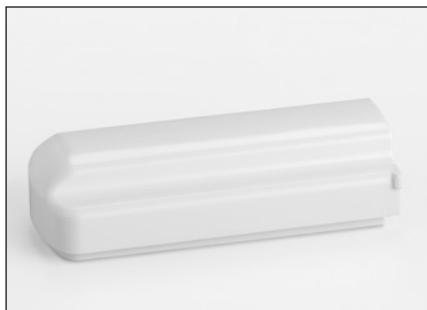
**P7SXAA3SN**  
**BLACK**

Lapis door side



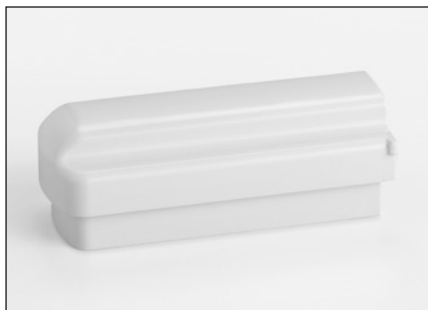
**P7A0A11**  
**MATT WHITE**

Lapis cabinet side • Arm 0



**P7A9A11**  
**MATT WHITE**

Lapis cabinet side • Arm 9



**P7SXA11SN**  
**MATT WHITE**

Lapis door side







## ARTURO SALICE S.p.A.

VIA PROVINCIALE NOVEDRATESE, 10  
22060 NOVEDRATE (COMO) ITALIA  
TEL. 031 790424 - FAX 031 791508  
info.salice@salice.com - www.salice.com

### DEUTSCHE SALICE GMBH

RUDOLF DIESEL STR. 10  
POSTFACH 1154  
74382 NECKARWESTHEIM  
TEL. 07233 9807-0  
FAX. 07233 9807-16  
info.salice@deutschesalice.de  
www.salice.com

### DEUTSCHE SALICE GMBH

VERKAUFSBÜRO NORD  
RINGSTRASSE 36/A30 CENTER  
32584 LÖHNE  
TEL. 05731 15608-0  
FAX. 05731 15608-10  
vknord@deutschesalice.de  
www.salice.com

### SALICE UK LTD.

KINGFISHER WAY  
HINCHINGBROOKE BUSINESS PARK  
HUNTINGDON CAMBS PE 29 6FN  
TEL. 01480 413831  
FAX. 01480 451489  
info.salice@saliceuk.co.uk  
www.salice.com

### SALICE FRANCE S.A.R.L.

ROUTE DE GOA ZAC LES 3 MOULINS  
06600 ANTIBES  
TEL. 0493 330069  
FAX. 0493 330141  
info.salice@salicefrance.com  
www.salice.com

### SALICE ESPAÑA, S.L.U.

CALLE COPÉRNICO, 11  
POLÍGONO INDUSTRIAL COLL DE LA MANYA  
08403 GRANOLLERS (BARCELONA)  
TEL. 938 45 88 61  
FAX 938 49 11 97  
info.salice@saliceespana.es  
www.salice.com

### SALICE PORTUGAL UNIP. LDA

VIA ROTA DOS MÓVEIS I n.399  
4585-325 GANDRA-PAREDES (DISTRITO PORTO)  
TEL. 00351 224 154 221  
info@saliceportugal.pt  
www.salice.com

### SALICE CHINA (SHANGHAI) CO. LTD.

1st FLOOR, B1 BLDG 928 MINGZHU ROAD  
XUJING, QINGPU DISTRICT  
SHANGHAI 201702 - CHINA  
TEL. 021 3988 9880  
FAX. 021 3988 9882  
info.salice@salicechina.com  
www.salicechina.com

### SALICE INDIA PVT. LTD.

1001 & 1002, 10TH FLOOR,  
CENTRUM, PLOT NO. C-3,  
OPP. WAGLE PRABHAG SAMITI OFFICE,  
MIDC AREA, WAGLE INDUSTRIAL ESTATE,  
THANE - 400604, MAHARASHTRA  
TEL. 022 20812050  
info@saliceindia.com  
www.salice.com

### SALICE CANADA INC.

3500 RIDGEWAY DRIVE,  
UNIT#1  
MISSISSAUGA, ONTARIO, L5L 0B4  
TEL. 905 8208787  
FAX. 905 8207226  
info.salice@salicecanada.com  
www.salicecanada.com

### SALICE AMERICA INC.

2123 CROWN CENTRE DRIVE  
CHARLOTTE NC. 28227  
TEL. 704 8417810  
FAX. 704 8417808  
info.salice@saliceamerica.com  
www.saliceamerica.com



**Digital contents**

**We reserve the right to change technical specifications without notice.**

Lapis design: Arch. Giulio Manzoni